

# P3010 Vacuum switch, adjustable with 1 output

## P3010 Vacuum switch, adjustable with 1 output



- Patented multistage COAX® cartridge - MINI - with Pi, Si, Xi cartridge.
- Includes a flow-through silencer and a built-in vacuum filter for harsh environments.
- High system reliability in case of fluctuating or low feed pressure.
- Suitable for fast and reliable evacuation in sealed systems.

### Technical data

Description	Unit	Value
Feed pressure, max. (pump)	psi	101.5
Noise level	dB(A)	66-68
Pressure, max. (switch)	psi	29
Vacuum range	-inHg	0-30
Material		PP, PA, PC, Al, NBR, SS
Temperature range	°F	14-122
Weight	oz	6.14-15.0
Function		NO
Hysteresis		±2% F.S.
Voltage supply	VDC	10.8-30
Safety classification		IP40
Humidity	%RH	35-85
Response time, approx.	ms	1
Accuracy, at 25°C		±3% F.S.
Current consumption, max	mA	20
High-voltage resistance	VDC	500
Insulation at 500 VDC	MOhm	100
Vibration resistance, 1.5 mm, XYZ, 2 h	Hz	10-55
Current output, max	mA	80

### Vacuum flow

COAX® Cartridge	Feed pressure* psi	Air consumption scfm	Vacuum flow (scfm) at different vacuum levels (-inHg)										Max vacuum -kPa
			0	3	6	9	12	15	18	21	24	27	
Pi12-3	45	0.93	2.97	1.27	0.93	0.57	0.40	0.30	0.21	0.13	0.06	—	27.0
Si08-3	87	0.93	2.84	1.55	1.17	0.74	0.49	0.36	0.28	0.17	—	—	22.2
Xi10-3	72.5	0.97	3.03	1.48	1.06	0.70	0.40	0.32	0.23	0.15	0.10	0.02	27.8

For vacuum flows at other feed pressures, see COAX® Cartridge data sheets. \*Feed pressure tolerance, +/- 1.45 psi

### Evacuation time

COAX® Cartridge	Feed pressure* psi	Air consumption scfm	Evacuation time (s/cf) to reach different vacuum levels (-inHg)										Max vacuum -inHg
			3	6	9	12	15	18	21	24	27		
Pi12-3	45	0.93	2.27	6.52	13.9	28.3	48.2	73.7	110	178	—	27.0	
Si08-3	87	0.93	2.83	7.08	13.6	22.7	36.8	56.7	82.2	—	—	22.2	
Xi10-3	72.5	0.97	2.55	7.37	14.2	25.5	42.5	62.3	96.3	147	249	27.8	

For evacuation times at other feed pressures, see COAX® Cartridge data sheets. \*Feed pressure tolerance, +/- 1.45 psi

### Blow flow

COAX® cartridge	Feed pressure psi	Air consumption scfm	Blow flow (scfm) at different pressure levels (psi)													Max pressure psi
			0	3	6	9	10	12	13	15	16	17	19	20		
Pi12-3	87	1.59	3.96	2.97	2.82	2.37	2.18	2.18	2.18	2.18	2.12	2.01	1.82	1.67	20	
Si08-3	87	0.93	3.77	2.46	2.18	1.82	1.70	1.59	1.40	1.12	—	—	—	—	10	
Xi10-3	87	1.14	3.81	2.75	2.33	2.08	1.80	1.78	1.67	1.50	1.29	—	—	—	13	

## Ordering information

### 1. Select housing P3010 Code

Housing, connection Ø=6 mm	00
Housing, connection 1/8" NPSF	01

### 2. COAX® cartridge modules P3010 Code

COAX® cartridge module Pi12-3FSx1	AE
COAX® cartridge module Pi12-3FSx1, non-return valve	AF
COAX® cartridge module Pi12-3FSx2	AG
COAX® cartridge module Pi12-3FSx2, non-return valve	AH
COAX® cartridge module Si08-3FSx1	AA
COAX® cartridge module Si08-3FSx1, non-return valve	AB
COAX® cartridge module Si08-3FSx2	AC
COAX® cartridge module Si08-3FSx2, non-return valve	AD
COAX® cartridge module Xi10-3FSx1	AI
COAX® cartridge module Xi10-3FSx1, non-return valve	AJ
COAX® cartridge module Xi10-3FSx2	AK
COAX® cartridge module Xi10-3FSx2, non-return valve	AL

### 3. Select connection and function module P3010 Code

Function Quick-release connection, 10 and 6 mm, 3 cm <sup>3</sup>	04
Function Quick-release connection, 8 and 6 mm, 30 cm <sup>3</sup>	05
Function Quick-release connection, 8 and 6 mm, 60 cm <sup>3</sup>	06
Function Quick-release connection, 10 and 6 mm, 30 cm <sup>3</sup>	07
Function Quick-release connection, 10 and 6 mm, 60 cm <sup>3</sup>	08
Function Quick-release connection, 1/4" NPSF and 6 mm, 3 cm <sup>3</sup>	09
Function Quick-release connection, 1/4" NPSF and 6 mm, 30 cm <sup>3</sup>	10
Function Quick-release connection, 1/4" NPSF and 6 mm, 60 cm <sup>3</sup>	11
Function Quick-release connection, 8 and 6 mm, 3 cm <sup>3</sup>	12

For detailed information on Quick-release, see separate datasheet.

### 4. Select ES P3010 Code

No energy saving	AA
Valve DS23	AB

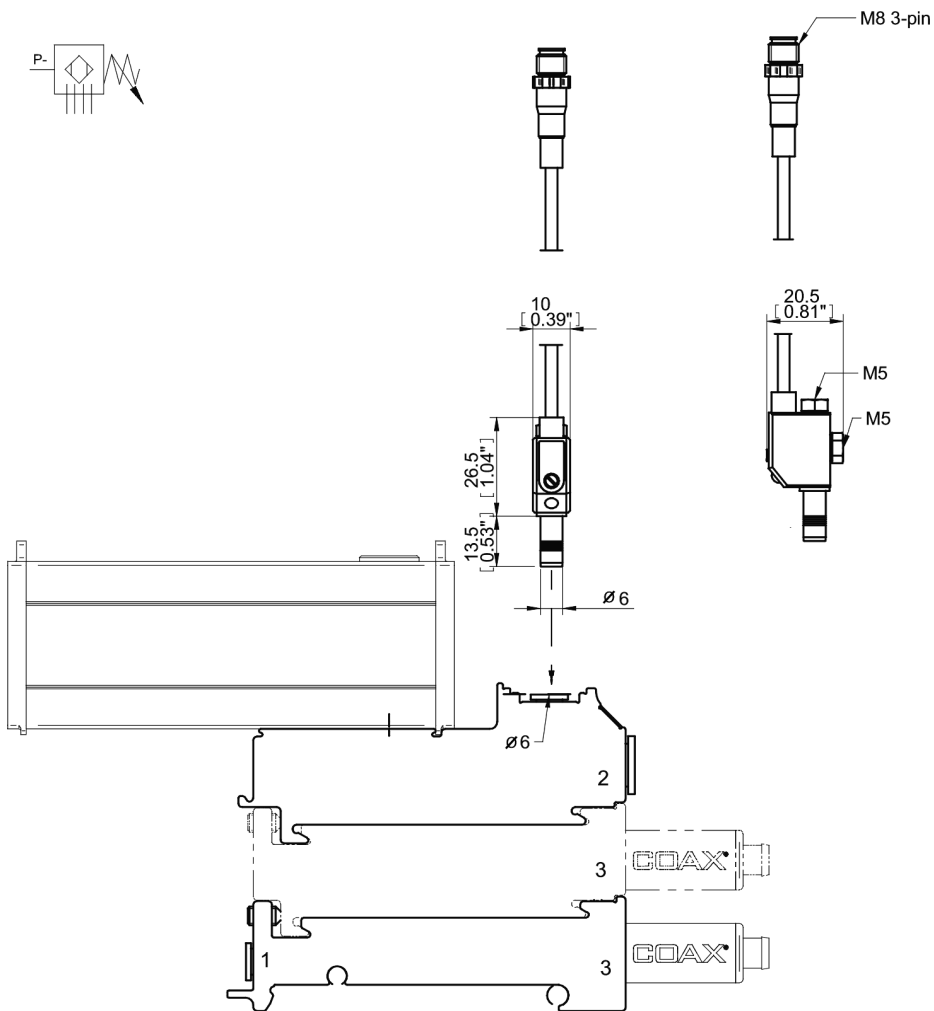
For detailed information on Valve DS 23, see separate datasheet.

### 5. Select vacuum sensing P3010 Code

Vacuum switch, adjustable, PNP NO LM8	05
---------------------------------------	----

### Example Ordering number

Housing, connection Ø 6 mm Pi12-3FSx1, Function Quick-release module 10/6 3cm <sup>3</sup> , no energy saving, Vacuum switch PNP NO LM8	P3010.00.AE.04.AA.05
---	----------------------



Ordering information,  
accessories

Description

Part No.

Sealing kit P3010, NBR

01.04.201

The sealing kit includes flap valves, compressed air filter and vacuum filter.