

P3010 Vacuum switch, inductive universal



P3010 Vacuum switch, inductive universal



- Patented multistage COAX® cartridge - MINI - with Pi, Si, Xi cartridge.
- Adjustable vacuum switch is actuated at a set vacuum level and set by a knob.
- Includes a flow-through silencer and a built-in vacuum filter for harsh environments.
- High system reliability in case of fluctuating or low feed pressure.
- Suitable for fast and reliable evacuation in sealed systems.

Technical data

Description	Unit	Value
Feed pressure, max. (pump)	psi	101.5
Noise level	dba	66-68
Pressure, max (switch)	psi	87
Material		PP, PBTP, PVC, PA, SS, NBR, POM, Al, CuZn
Temperature range	°F	14-122
Weight	oz	8.22-17.1
Function		PNP NO, PNP NC, NPN NO and NPN NC
Hysteresis	-inHg	0.60
Cable		2 x 0.14 mm ² x 2m
Supply voltage	VDC	24 (5-36)
Safety classification		IP67
Current Output, max	mA	200
Voltage drop, max	VDC	4.6

The switch must be connected in series with the load.

Vacuum flow

COAX® Cartridge	Feed pressure* psi	Air consumption scfm	Vacuum flow (scfm) at different vacuum levels (-inHg)										Max vacuum -kPa
			0	3	6	9	12	15	18	21	24	27	
Pi12-3	45	0.93	2.97	1.27	0.93	0.57	0.40	0.30	0.21	0.13	0.06	—	27.0
Si08-3	87	0.93	2.84	1.55	1.17	0.74	0.49	0.36	0.28	0.17	—	—	22.2
Xi10-3	72.5	0.97	3.03	1.48	1.06	0.70	0.40	0.32	0.23	0.15	0.10	0.02	27.8

For vacuum flows at other feed pressures, see COAX® Cartridge data sheets. *Feed pressure tolerance, +/- 1.45 psi

Evacuation time

COAX® Cartridge	Feed	Air	Evacuation time (s/cf) to reach different vacuum levels (-inHg)	Max
-----------------	------	-----	---	-----

COAX® Cartridge	pressure* psi	consumption scfm	Evacuation time (S/cf) to reach different vacuum levels (-inHg)										vacuum -inHg
			3	6	9	12	15	18	21	24	27		
Pi12-3	45	0.93	2.27	6.52	13.9	28.3	48.2	73.7	110	178	—	27.0	
Si08-3	87	0.93	2.83	7.08	13.6	22.7	36.8	56.7	82.2	—	—	22.2	
Xi10-3	72.5	0.97	2.55	7.37	14.2	25.5	42.5	62.3	96.3	147	249	27.8	

For evacuation times at other feed pressures, see COAX® Cartridge data sheets. *Feed pressure tolerance, +/- 1.45 psi

Blow flow																
COAX® cartridge	Feed pressure psi	Air consumption scfm	Blow flow (scfm) at different pressure levels (psi)													Max pressure psi
			0	3	6	9	10	12	13	15	16	17	19	20		
Pi12-3	87	1.59	3.96	2.97	2.82	2.37	2.18	2.18	2.18	2.18	2.12	2.01	1.82	1.67	20	
Si08-3	87	0.93	3.77	2.46	2.18	1.82	1.70	1.59	1.40	1.12	—	—	—	—	10	
Xi10-3	87	1.14	3.81	2.75	2.33	2.08	1.80	1.78	1.67	1.50	1.29	—	—	—	13	

Ordering information

1. Select housing P3010 Code

Housing, connection Ø=6 mm	00
Housing, connection 1/8" NPSF	01

2. COAX® cartridge modules P3010 Code

COAX® cartridge module Pi12-3FSx1	AE
COAX® cartridge module Pi12-3FSx1, non-return valve	AF
COAX® cartridge module Pi12-3FSx2	AG
COAX® cartridge module Pi12-3FSx2, non-return valve	AH
COAX® cartridge module Si08-3FSx1	AA
COAX® cartridge module Si08-3FSx1, non-return valve	AB
COAX® cartridge module Si08-3FSx2	AC
COAX® cartridge module Si08-3FSx2, non-return valve	AD
COAX® cartridge module Xi10-3FSx1	AI
COAX® cartridge module Xi10-3FSx1, non-return valve	AJ
COAX® cartridge module Xi10-3FSx2	AK
COAX® cartridge module Xi10-3FSx2, non-return valve	AL

3. Select connection and function module P3010 Code

Function Quick-release connection, 10 and 6 mm, 3 cm ³	04
Function Quick-release connection, 8 and 6 mm, 30 cm ³	05
Function Quick-release connection, 8 and 6 mm, 60 cm ³	06
Function Quick-release connection, 10 and 6 mm, 30 cm ³	07
Function Quick-release connection, 10 and 6 mm, 60 cm ³	08
Function Quick-release connection, 1/4" NPSF and 6 mm, 3 cm ³	09
Function Quick-release connection, 1/4" NPSF and 6 mm, 30 cm ³	10
Function Quick-release connection, 1/4" NPSF and 6 mm, 60 cm ³	11
Function Quick-release connection, 8 and 6 mm, 3 cm ³	12

For detailed information on Quick-release, see separate datasheet.

4. Select ES P3010 Code

No energy saving	AA
Valve DS23	AB

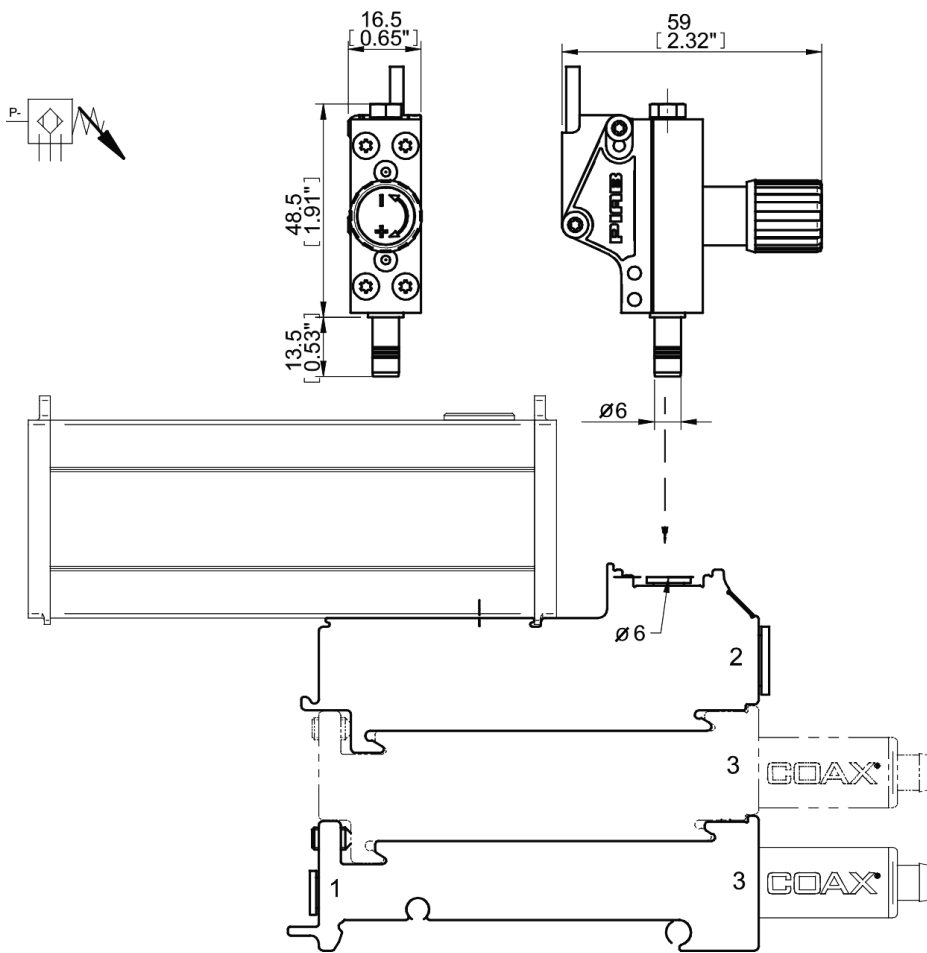
For detailed information on Valve DS 23, see separate datasheet.

5. Select vacuum sensing P3010 Code

Vacuum switch inductive, adjustable with knob	11
---	----

Example Ordering number

Housing, connection Ø 6 mm Pi12-3FSx1, Function Quick-release module 10/6 3cm ³ , no energy saving, Vacuum switch inductive, adj. knob	P3010.00.AE.04.AA.11
---	----------------------



Ordering information,
accessories

Description

Part No.

Sealing kit P3010, NBR

01.04.201

The sealing kit includes flap valves, compressed air filter and vacuum filter.