

# P5010 CU



## P5010 CU



- P5010 multistage ejector with Pi, Si or Xi COAX® push-in cartridge(s).
- Integrated Control Unit (CU) with electric valves for vacuum on-off and blow-off control.
- Mechanical valve for blow-off flow adjustment.
- Enhanced blow-off power thanks to a directed blow-off pipe.
- Slim, compact, configurable and modular design.

### Technical data

Description	Unit	Value
Feed pressure, max	psi	101.5
Noise level *)	dB(A)	68–71
Temperature range	°F	32–122
Weight	lb	0.95–1.59
Material		AL, CuZn, NBR, PA, SS, PE, PMMA
Voltage	VDC	24 (22–28)
Safety classification		IP65 [NEMA4]
Humidity	%RH	90
Current consumption, nominal	mA	60
Ripple, max.	V <sub>p</sub>	1 V <sub>rms</sub>
Flow, blow-off	scfm	0–15.9
Function, on/off		NC

\*) At vacuum level 12 -inHg and at recommended feed pressure for respective push-in cartridge.

### Vacuum flow

COAX® cartridge	Feed pressure* psi	Air consumption scfm	Vacuum flow (scfm) at different vacuum levels (-inHg)											Max vacuum -inHg
			0	3	6	9	12	15	18	21	24	27		
Pi48-2	44	4.24	5.93	5.30	3.81	2.33	1.38	1.06	0.74	0.53	0.21	—	27.0	
Pi48-3	45	4.34	11.9	5.30	3.81	2.33	1.38	1.06	0.74	0.53	0.21	—	27.0	
Si32-2	87	3.71	6.99	6.36	5.51	3.60	1.91	1.27	1.06	0.74	—	—	22.2	
Si32-3	87	3.71	12.7	7.42	5.51	3.60	1.91	1.27	1.06	0.74	—	—	22.2	
Xi40-2	65	3.88	5.93	4.87	3.39	2.12	1.55	1.23	0.91	0.68	0.38	0.06	28.1	
Xi40-3	65	3.88	12.5	6.36	4.24	2.75	1.55	1.23	0.91	0.68	0.38	0.06	28.1	

For vacuum flows at other feed pressures, see COAX® cartridge data sheets. \*Feed pressure tolerance, +/- 1.45 psi

### Evacuation time

COAX® cartridge	Feed pressure* psi	Air consumption scfm	Evacuation time (s/cf) to reach different vacuum levels (-inHg)										Max vacuum -inHg
			3	6	9	12	15	18	21	24	27		
Pi48-2	44	4.24	0.85	1.98	3.68	7.37	13.0	19.8	28.3	45.3	113	27.0	
Pi48-3	44	4.24	0.57	1.70	3.40	7.08	12.7	19.8	28.3	45.3	113	27.0	
Si32-2	87	3.71	0.85	1.98	2.83	5.10	9.35	15.0	22.7	—	—	22.2	
Si32-3	87	3.71	0.57	1.42	2.83	5.10	9.35	15.0	22.7	—	—	22.2	
Xi40-2	65	3.88	1.13	2.55	4.82	7.93	12.5	17.8	25.5	36.8	65.2	28.1	
Xi40-3	65	3.88	0.62	1.76	3.40	6.23	10.5	16.1	23.8	34.0	62.3	28.1	

For evacuation times at other feed pressures, see COAX® cartridge data sheets. \*Feed pressure tolerance, +/- 1.45 psi

### Blow flow

COAX® cartridge	Feed pressure psi	Air consumption scfm	Blow flow (scfm) at different pressure levels (psi)												Max pressure psi
			0	3	6	9	10	12	13	15	16	17	19	20	
Pi48-2	87	7.42	13.0	13.0	12.6	10.7	9.51	9.51	9.51	9.51	9.51	9.03	8.48	7.69	20
Pi48-3	87	7.52	20.1	13.8	12.7	11.2	9.96	9.75	9.75	9.75	9.54	9.11	8.48	7.84	20
Si32-2	87	3.71	10.7	9.01	6.99	5.62	4.98	4.17	—	—	—	—	—	—	12
Si32-3	87	3.71	16.5	9.75	6.99	5.72	4.87	3.81	—	—	—	—	—	—	12
Xi40-2	87	4.94	10.8	9.75	7.20	6.99	6.57	5.93	5.09	—	—	—	—	—	13
Xi40-3	87	4.94	17.9	10.8	8.31	7.18	6.84	6.25	5.47	—	—	—	—	—	13

For performance graphs, see COAX® cartridge data sheets.

## Ordering information

### 1. Select Housing P5010 code

Housing, connection Ø 10 mm	00
Housing, connection Ø 3/8"	01

### 2. COAX® push-in modules

#### P5010 Code

b	COAX® push-in module Pi48-2X1	AI
a	COAX® push-in module Pi48-3X1	AJ
d	COAX® push-in module Pi48-2X1, non-return valve	AK
c	COAX® push-in module Pi48-3X1, non-return valve	AL
b	COAX® push-in module Pi48-2X2	AM
a	COAX® push-in module Pi48-3X2	AN
d	COAX® push-in module Pi48-2X2, non-return valve	AO
c	COAX® push-in module Pi48-3X2, non-return valve	AP
b	COAX® push-in module Si32-2X1	AA
a	COAX® push-in module Si32-3X1	AB
d	COAX® push-in module Si32-2X1, non-return valve	AC
c	COAX® push-in module Si32-3X1, non-return valve	AD
b	COAX® push-in module Si32-2X2	AE
a	COAX® push-in module Si32-3X2	AF
d	COAX® push-in module Si32-2X2, non-return valve	AG
c	COAX® push-in module Si32-3X2, non-return valve	AH
b	COAX® push-in module Xi40-2X1	AQ
a	COAX® push-in module Xi40-3X1	AR
d	COAX® push-in module Xi40-2X1, non-return valve	AS
c	COAX® push-in module Xi40-3X1, non-return valve	AT
b	COAX® push-in module Xi40-2X2	AU
a	COAX® push-in module Xi40-3X2	AV
d	COAX® push-in module Xi40-2X2, non-return valve	AW
c	COAX® push-in module Xi40-3X2, non-return valve	AX

### 3. Function

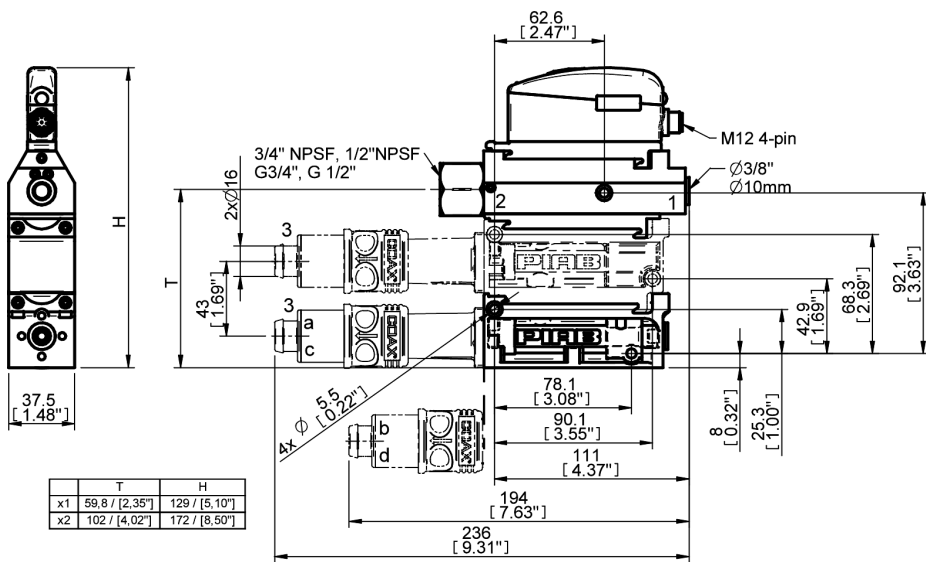
#### P5010 Code

Function CU NC, G connection	09
Function CU NC, NPSF connection	10

### Example

#### Ordering number

Housing, connection Ø 10 mm Pi48-2X1, function CU NC G threads	P5010 00 AI 09
--	----------------



### Ordering information, accessories

#### Description

#### Part No.

Cable M12 4-pin female, PUR, L=5m\*

01.21.817

Cable M12 4-pin female, M12 4-pin male, PUR, L=2m

01.18.322

\*) Pin No. 1 is not used.