

Cone module 56 with mounting brackets



Cone module 56 with mounting brackets

- Used as a transition piece to increase the internal volume, etc.

Technical data

Description	Unit	Value
Material		ASTM 316L
Finish	Ra	0.6
Volume	cf	1.26
Weight	lb	13.6

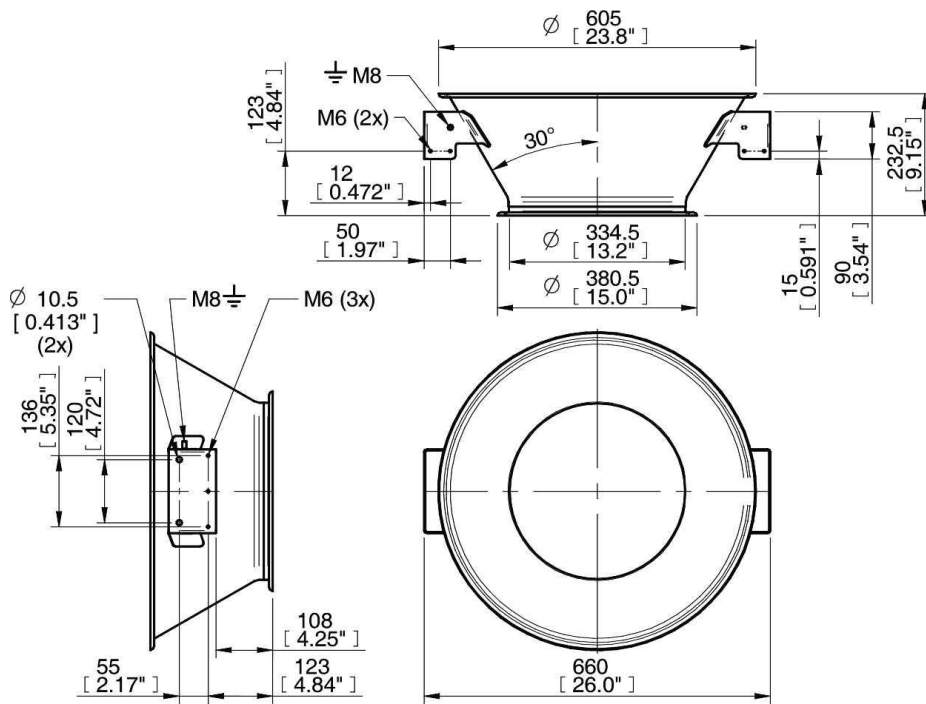
Ordering information

Description

Part No.

Cone module 56/23 with mounting brackets

01.06.680



Ordering information, accessories

Description

Part No.

Module seal 56 NBR

01.06.142/1

Module seal 56 Q

01.06.142/2

Clamp ring 56 cpl

01.06.127