

Cone module 33 & 56



Cone module 33 & 56

- Used as a transition piece to increase the internal volume, etc.

Technical data

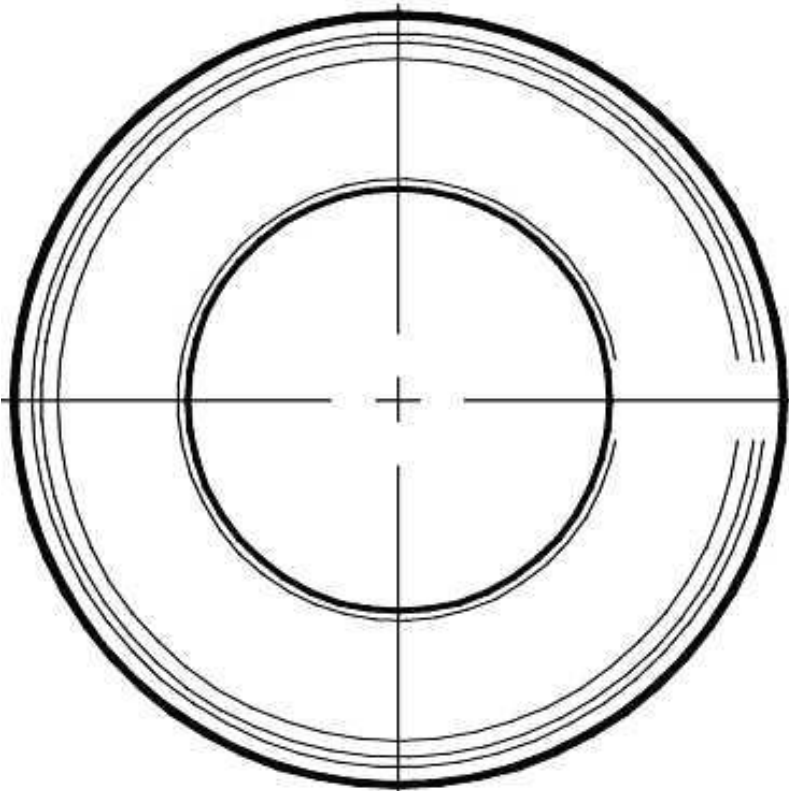
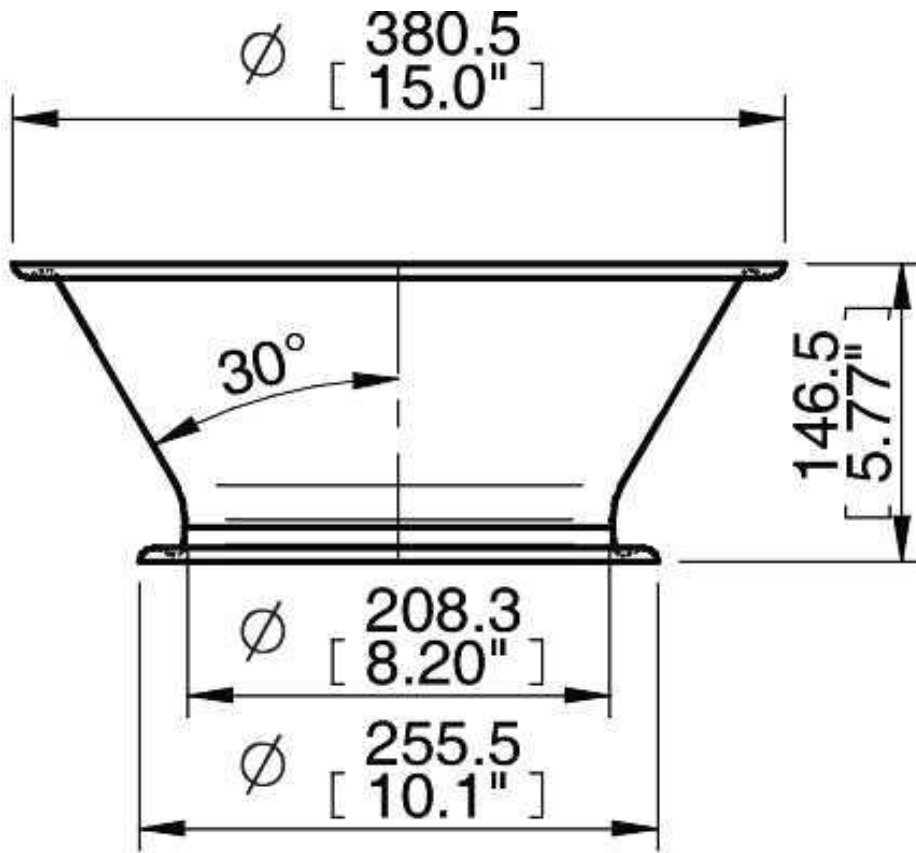
Description	Unit	Value
Material		ASTM 316L
Finish	Ra	0.6

Technical data, specific

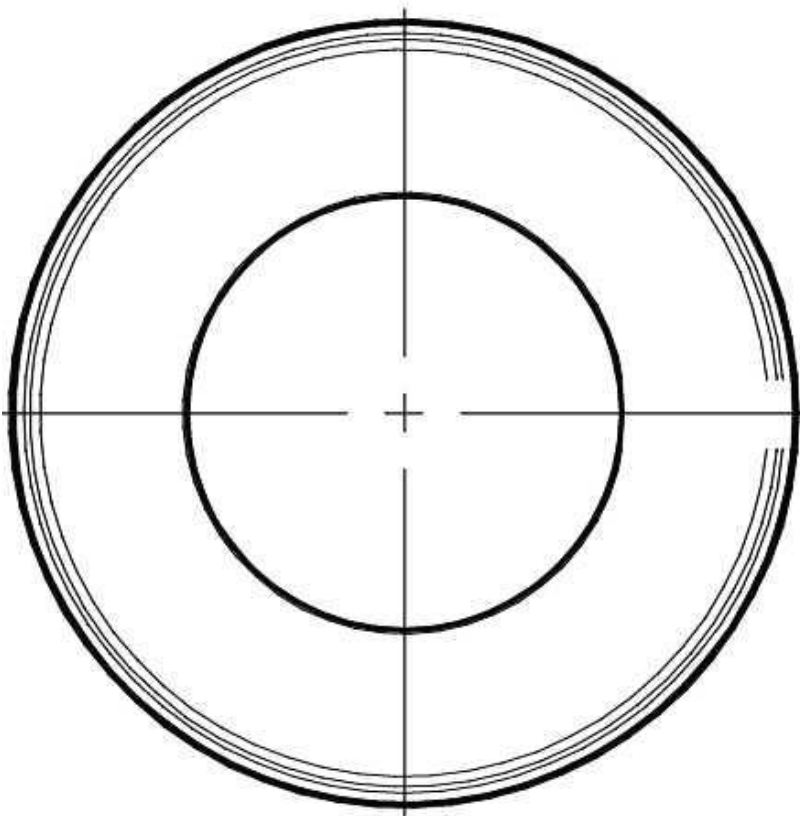
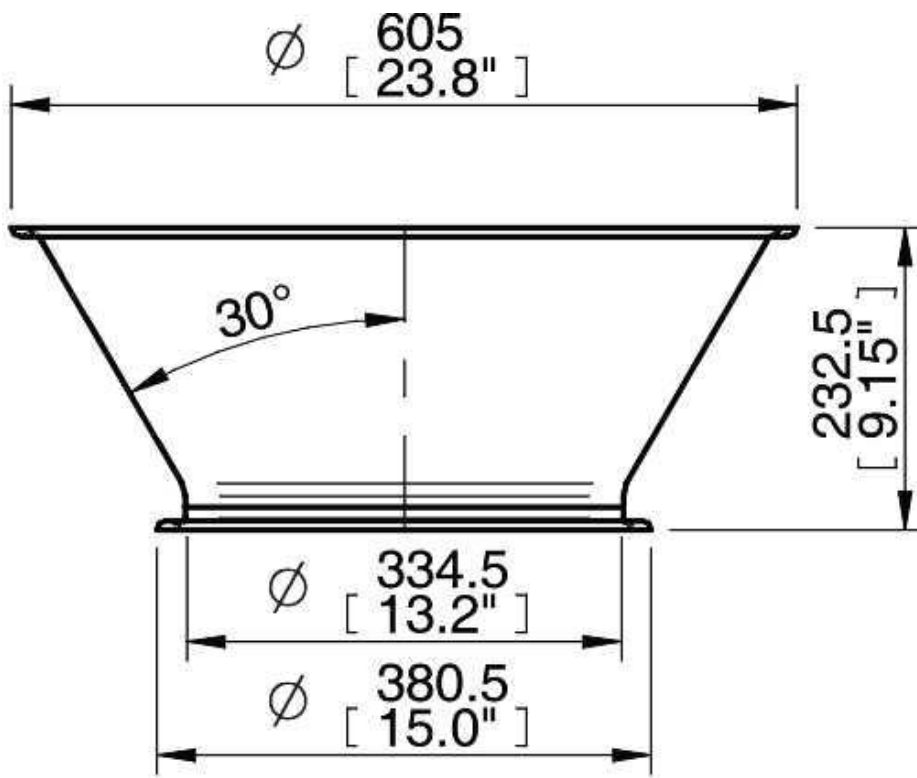
Description	Unit	Value	
		01.03.858	01.06.182
Volume	cf	0.29	1.26
Weight	lb	3.83	10.8

Ordering information

	Description	Part No.
A	Cone module 33/15	01.03.858
B	Cone module 56/23	01.06.182



A



B

Ordering information,
accessories

Description

Part No.

Module seal 33 NBR

01.03.948/1

Module seal 33 Q

01.03.948/2

Clamp ring 33 cpl

01.03.977

Module seal 56 NBR

01.06.142/1

Module seal 56 Q

01.06.142/2

Clamp ring 56 cpl

01.06.127

