

# Suction line connection parts



## Suction line connection parts

- Make the installation of conveying pipe and hose easier

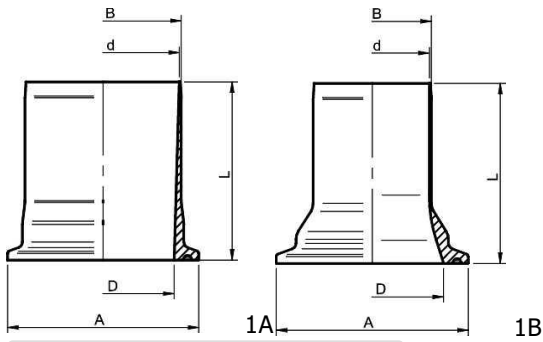


### Technical data

Description	Unit	Value
Material		ASTM 316L, EPDM, ASTM 316
Finish, inside surface electropolished	Ra	0.4

### Dimensions Hose connector TC

Description	Art. No.	Weight kg	For hose dim d mm	A mm	D mm	d mm	B mm	L mm
1A Hose connector TC 1"SMS - Ø25 cpl	0201791	0.429	25	50.5	22.6	25	26	42
1B Hose connector TC2"OD - Ø32 cpl	0129749	0.402	32	64	47.5	32	33.2	85
1B Hose connector TC2"OD - Ø38 cpl	0201792	0.363	38	64	47.5	38	39.4	60
1A Hose connector TC2"OD - Ø51 cpl	0201793	0.402	51	64	47.5	51	52.3	60
1B Hose connector TC3"OD - Ø51 cpl	0201796	0.851	51	91	72.9	51	52.3	85
1B Hose connector TC3"OD - Ø63 cpl	0201794	0.752	63	91	72.9	63	64.5	60
1A Hose connector TC3"OD - Ø76 cpl	0201795	0.824	76	91	72.9	76	77.8	60
1B Hose connector TC4"OD - Ø76 cpl	0201798	1.24	76	119	97.4	76	77.8	85
1A Hose connector TC4"OD - Ø102 cpl	0201797	1.15	102	119	97.4	102	103.8	60



Ordering information TC25 to hose 25

	Description	Art. No.
A	Hose connector TC 1"SMS - Ø25 cpl	0201791
	consisting of:	
C	Hose stud TC 1"SMS-Ø25	0126411
D	Clamp sealing Ø25x1.2 EPDM FDA	0104038
E	Clamp ring 25, stainless steel, cast	0104042
B	Hose clamp D=26-38	3113822

Ordering information TC51 to hose 32

	Description	Art. No.
A	Hose connector TC2"OD - Ø32 cpl	0129749
	consisting of:	
C	Hose stud TC 2" OD-Ø32	0128767
D	Clamp sealing Ø50.8x1.65 EPDM FDA	0117557
E	Clamp ring 51, stainless steel, cast	0104043
B	Hose clamp D=32-44	3113823

Ordering information TC51 to hose 38

	Description	Art. No.
A	Hose connector TC2"OD - Ø38 cpl	0201792
	consisting of:	
C	Hose stud TC 2"OD-Ø38	0120670
D	Clamp sealing Ø50.8x1.65 EPDM FDA	0117557
E	Clamp ring 51, stainless steel, cast	0104043
B	Hose clamp D=38-50	3113725

Ordering information TC51 to hose 51

	Description	Art. No.
A	Hose connector TC2"OD - Ø51 cpl	0201793
	consisting of:	
C	Hose stud TC 2"OD-Ø51	0120794
D	Clamp sealing Ø50.8x1.65 EPDM FDA	0117557
E	Clamp ring 51, stainless steel, cast	0104043
B	Hose clamp D=50-65	3113824

Ordering information TC76 to hose 51

	Description	Art. No.
A	Hose connector TC3"OD - Ø51 cpl	0201796
	consisting of:	
C	Hose stud TC 3"OD-Ø51	0128768
D	Clamp sealing Ø76.1x1.6 EPDM FDA	0104040
E	Clamp ring 76, stainless steel, cast	0104044
B	Hose clamp D=50-65	3113824

Ordering information TC76 to hose 63

	Description	Art. No.
A	Hose connector TC3"OD - Ø63 cpl	0201794
	consisting of:	
C	Hose stud TC 3"OD-Ø63	0120674
D	Clamp sealing Ø76.1x1.6 EPDM FDA	0104040
E	Clamp ring 76, stainless steel, cast	0104044
B	Hose clamp D=68-85	3113696

Ordering information TC76 to hose 76

	Description	Art. No.
A	Hose connector TC3"OD - Ø76 cpl	0201795
	consisting of:	
C	Hose stud TC 3"OD-Ø76	0120795
D	Clamp sealing Ø76.1x1.6 EPDM FDA	0104040
E	Clamp ring 76, stainless steel, cast	0104044
B	Hose clamp D=77-95	0201809

Ordering information TC102 to hose 76

	Description	Art. No.
A	Hose connector TC4"OD - Ø76 cpl	0201798
	consisting of:	
C	Hose stud TC 4"OD-Ø76	0128769
D	Clamp sealing Ø101.6x2.0 EPDM FDA	0114719
E	Clamp ring 102, stainless steel, cast	0104045
B	Hose clamp D=77-95	0201809

Ordering information TC102 to hose 102

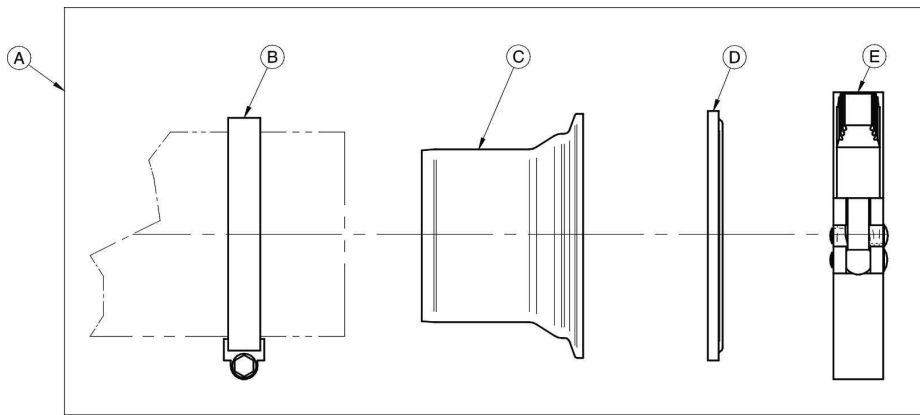
	Description	Art. No.
A	Hose connector TC4"OD - Ø102 cpl	0201797
	consisting of:	
C	Hose stud TC 4"OD-Ø102	0128729
D	Clamp sealing Ø101.6x2.0 EPDM FDA	0114719

E Clamp ring 102, stainless steel, cast

0104045

B Hose clamp D=104-138

3113825



#### Ordering information, accessories

Description	Art. No.
Hose clear PVC 25 per metre	0115068
Hose clear PVC 32 per metre	3404108
Hose clear PVC 38 per metre	0129787
Hose clear PVC 50 per metre	3404131
Hose clear PVC 63 per metre	0129788
Hose clear PVC 75 per metre	3404132
Hose clear PVC 100 per metre	3404133

For easier assembly, warm the hose. Expose the embedded grounding wire and fold it in to prevent build-up of static electricity.