

# Regulator kit piFLOW®p



## Regulator kit piFLOW®p



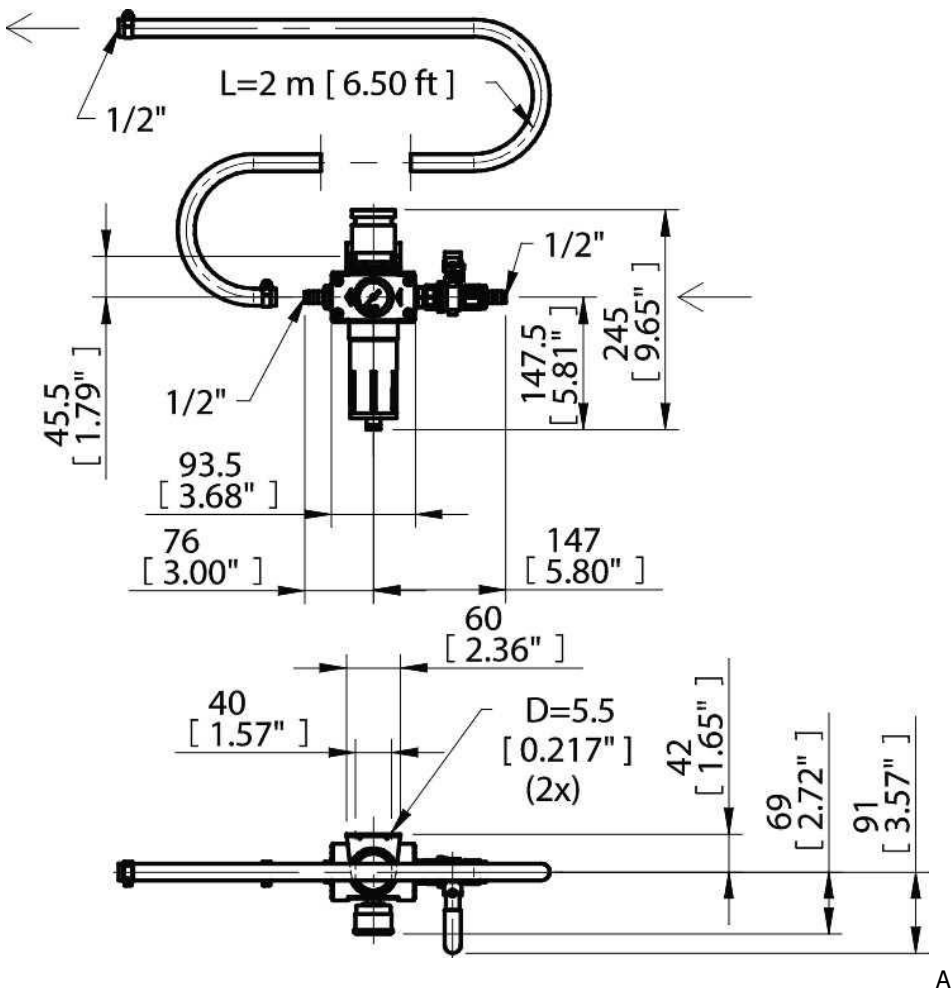
- Regulates the incoming pressure to the pump.
- The filter cleans the compressed air.

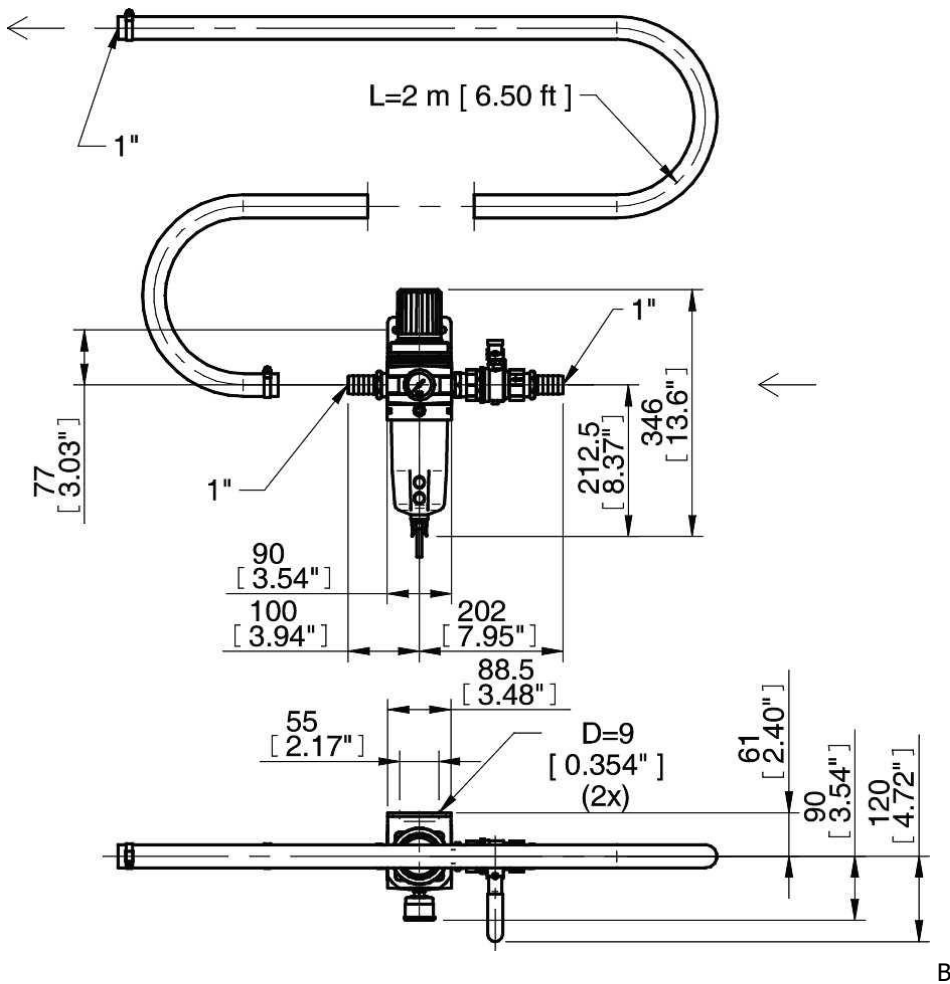
### Technical data, specific

Description	Unit	Value	0104490	0104491	0201782
Feed pressure, max.	MPa	1.0		0.8	0.8
Material		Zn, Polymer, PE, NBR, CuZn, Ni, SS		Al, PA, Cu, SS, PTFE, PP, POM, NBR, PBT	Al, PA, Cu, SS, PTFE, PP, POM, NBR, PBT
Temperature range	°C	-10-50		-10-80	-10-80
Weight	kg	2.12		4.79	9.58 (4.79 x2)
Min. particle size	µm	5		5	5

Ordering information

Description		Art. No.
A	Regulator kit piFLOW®p 1/2" 100-400	0104490
B	Regulator kit piFLOW®p 1" 600-800	0104491
B	Regulator kit piFLOW®p 1" 1200-1600 (0104491 x2)	0201782





B

Ordering information,  
accessories

Description

Art. No.

Filter element  $\frac{1}{2}$ "

0121243

Filter element 1"

0121244