

# Feed stations



## Feed stations



- To store the product at the suction point.
- Polished  $\leq Ra\ 0.8$ .
- Available with white or antistatic (black) fluidization cone.
- Fluidization regulator is included.

### Technical data

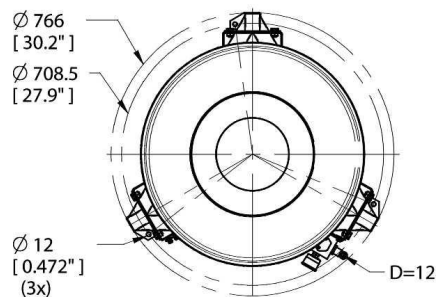
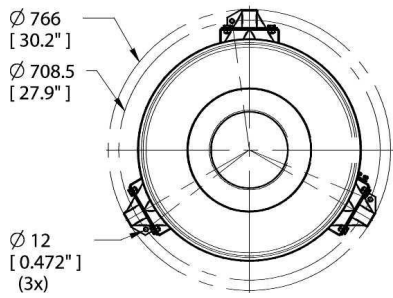
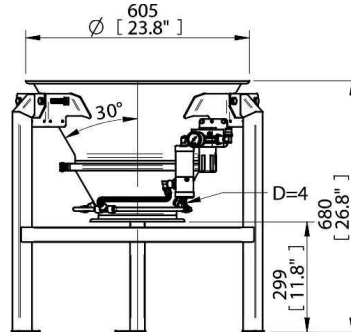
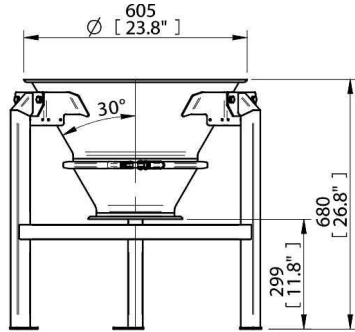
Description	Unit	Value
Material		ASTM 304, ASTM 316L
Material batch volume	cf	1.41

### Technical data, specific

Description	Unit	Value
		01.17.673/01.17.674
		01.17.675/01.17.676
Material		NBR, Q
Weight	lb	51.1

Ordering information

	Description	Part No.
A	Feed station 40 liters, NBR	01.17.673
A	Feed station 40 liters, Q	01.17.674
B	Feed station 40 liters, fluidization, NBR	01.17.675
B	Feed station 40 liters, fluidization, Q	01.17.676



A

B