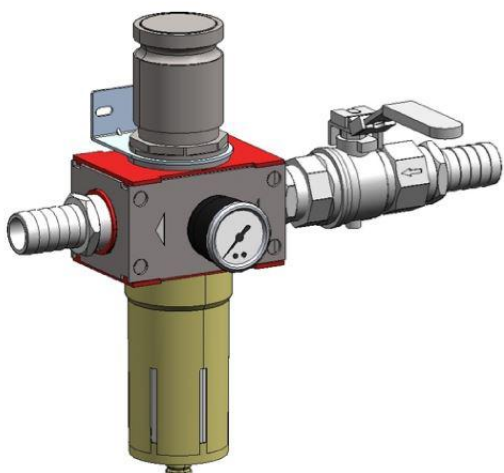


Regulator kit piFLOW®i/f



Regulator kit piFLOW®i/f



- Regulates the incoming pressure to the pump.
- The filter cleans the compressed air.

Technical data

Description	Unit	Value
Feed pressure, max.	MPa	1.0
Material		Zn, Polymer, PE, NBR, CuZn, Ni, SS
Temperature range	°C	-10-50
Weight	kg	4.63
Min. particle size	µm	5

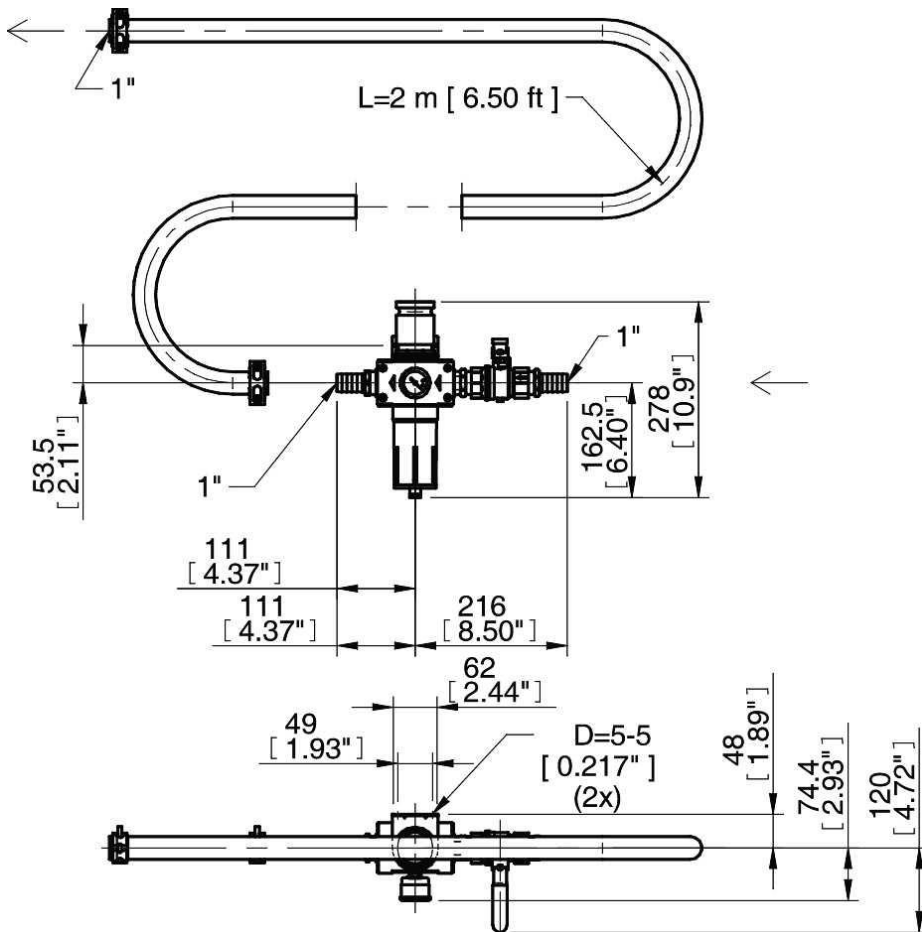
Ordering information

Description

Art. No.

Regulator kit piFLOW®i/f 1" 100-600

0126485



Ordering information,
accessories

Description

Art. No.

Filter element 1"

0127268