

Actuating valve



Actuating valve



Technical data

| Description | Unit | Value |
|--------------------|------|---------------------------|
| Feed pressure, max | MPa | 0.7 |
| Material | | SS, PB, Al, NBR, CuZn, PA |
| Temperature range | °C | -40–110 |
| Weight | g | 120 |

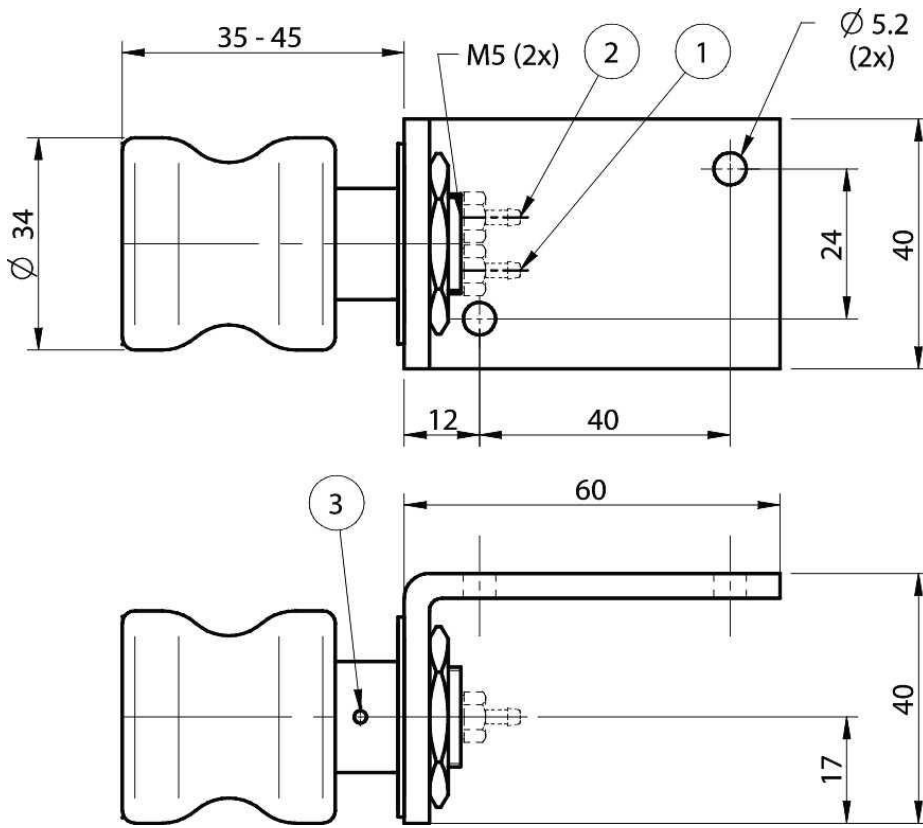
Ordering information

Description

Art. No.

Actuating valve cpl

3107001



Compressed-air connection, 3. Exhaust

1. Compressed-air connection, 2.