



## Vacuum filters

- To filter dust and other small particles from the vacuum flow.
- Reduces the risk of operation breakdown or stoppage in the pump.
- Replaceable filter element.
- Available with special filter element with increased filter area

### Technical data

Description	Unit	Value
Pressure range	MPa	-0.1–0
Temperature range	°C	-20–80

### Technical data, specific

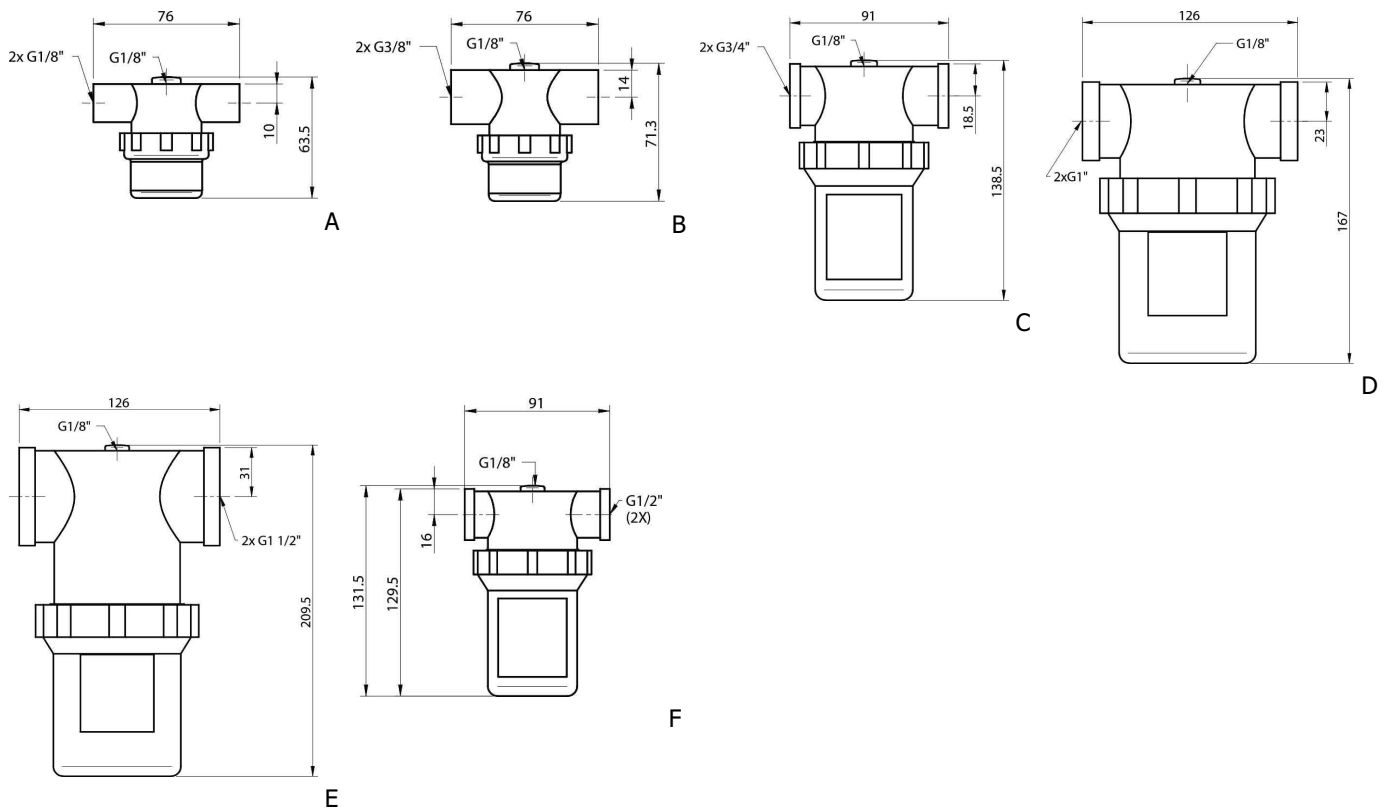
Description	Unit	Value								
		3116670	3116671	3116651	3116652	3116672	3116653	0110521	0110522	0110523
Material		PP, PA, PE	PP, PA, PE	PP, PA, PE	PP, PA, PE	PP, PA, PE	PP, PA, PE	PP, PA, SS, Polyester	PP, PA, SS, Polyester	PP, PA, SS, Polyester
Removal efficiency	µm	10	10	10	10	10	10	5	5	5
Weight	g	53	73	184	193	440	560	240	246	658
Flow nominal	NI/s	1.4	2.5	15	15	42	85	5.8	5.8	9
Volume internal	cm <sup>3</sup>	35	45	195	205	495	675	195	205	675
Filter area	m <sup>2</sup>	0.003	0.003	0.010	0.010	0.019	0.023	0.032	0.032	0.051

### Technical data, accessories

Description	Unit	Value							
		3116673	3116674	3116675	3116676	3116223	3116224	0116640	
Material		PE	PE	PE	PE	SS, Polyester	SS, Polyester	PE	
Weight	g	5	22	47	64	80	166	5	
Filter area	m <sup>2</sup>	0.003	0.010	0.019	0.023	0.032	0.051	0.003	
Removal efficiency	µm	10	10	10	10	5	5	120	

## Ordering information

	Description	Art. No.
A	Vacuum filter G1/8" (10 µm)	3116670
B	Vacuum filter G3/8" (10 µm)	3116671
C	Vacuum filter G3/4" (10 µm)	3116652
D	Vacuum filter G1" (10 µm)	3116672
E	Vacuum filter G1½" (10 µm)	3116653
F	Vacuum filter G1/2" (10 µm)	3116651
F	Vacuum filter G1/2" (5 µm)	0110521
C	Vacuum filter G3/4" (5 µm)	0110522
E	Vacuum filter G1½" (5 µm)	0110523



## Ordering information, accessories

	Description	Art. No.
A	Filter element 1/8" & 3/8" (10 µm)	3116673
B	Filter element 1/2" & 3/4" (10 µm)	3116674
C	Filter element 1" (10 µm)	3116675
D	Filter element 1½" (10 µm)	3116676
E	Filter element 1/2" & 3/4" (5 µm)	3116223
F	Filter element 1½" (5 µm)	3116224
A	Filter element 1/8" & 3/8" (120 µm)	0116640

