

F20



F20

Flat suction cup with cleats

- Suitable for flat objects.
- Good stability and little inherent movement.
- Recommended when the lifting force is parallel to the surface of the object.
- Cleats prevent thin, sensitive objects from being deformed and gives extra friction when the lifting force is parallel.

Lifting forces & Technical data

Lifting force vertical to the surface, N, at vacuum level			Lifting force parallel to the surface, N, at vacuum level			Volume	Min. curve radius	Max. vertical movement	Weight rubber part
20 -kPa	60 -kPa	90 -kPa	20 -kPa	60 -kPa	90 -kPa	cm ³	mm	mm	g
6.0	14.5	19.0	5.0	8.0	8.5	1.0	18	1.5	1.2

Material specifications

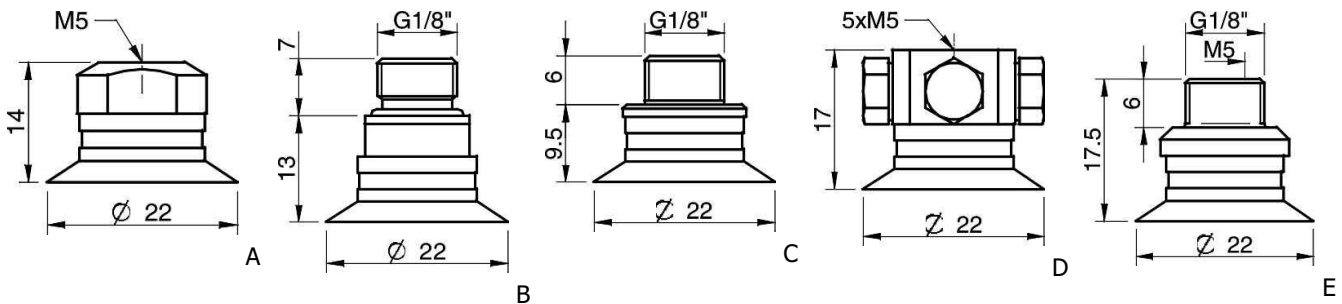
Material	Colour	Hardness °Shore A	Temperature range °C
Chloroprene, CR	Black	50	-40–110
Silicone, SIL	Red	50	-40–200

Material resistance

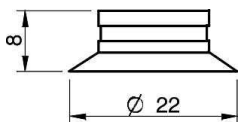
Material	Wear resistance	Oil	Weather & ozone	Hydrolysis	Petrol	Concentrated acids	Alcohol	Oxidation
Chloroprene, CR	Excellent	Fair	Good	Good	Fair	Poor	Good	Good
Silicone, SIL	Good	Poor	Excellent	Fair	Poor	Poor	Good	Excellent

Ordering information

Complete suction cups		Art. No.
A	Suction cup F20 Chloroprene, M5 female	0101259
A	Suction cup F20 Chloroprene, M5 female, with dual flow control valve	0101265
B	Suction cup F20 Chloroprene, G1/8" male, with mesh filter	0101260
B	Suction cup F20 Chloroprene, G1/8" male, with mesh filter and dual flow control valve	0101266
C	Suction cup F20 Chloroprene, G1/8" male/M5 female, with mesh filter	0101264
C	Suction cup F20 Chloroprene, G1/8" male/M5 female, with dual flow control valve	0101268
D	Suction cup F20 Chloroprene, 5xM5 female	0101263
A	Suction cup F20 Silicone, M5 female	0101270
B	Suction cup F20 Silicone, G1/8" male, with mesh filter	0101271
B	Suction cup F20 Silicone, G1/8" male, with mesh filter and dual flow control valve	0101277
C	Suction cup F20 Silicone, G1/8" male/M5 female, with mesh filter	0101275
D	Suction cup F20 Silicone, 5xM5 female	0101274
E	Suction cup F20 Chloroprene, G1/8" male/M5 female, PA	0110950
E	Suction cup F20 Silicone, G1/8" male/M5 female, PA	0110334



Rubber parts	Art. No.
Suction cup F20 Chloroprene	0101129
Suction cup F20 Silicone	0101130



Fittings	Art. No.
Fitting M5 female	3250003
Fitting M5 female, with dual flow control valve	3251001
Fitting G1/8" male, with mesh filter	3250085
Fitting G1/8" male, with mesh filter and dual flow control valve	3251002
Fitting G1/8" male/M5 female, with mesh filter	0101152
Fitting G1/8" male/M5 female, with dual flow control valve	3251004
Fitting 5xM5 female	0100260
Fitting 5xM5 female, with dual flow control valve	3251005
Fitting G1/8" male/M5 female, PA	3150196