

F150



F150

Flat suction cup with cleats

- Suitable for flat objects.
- Good stability and little inherent movement.
- Recommended when the lifting force is parallel to the surface of the object.
- Cleats prevent thin, sensitive objects from being deformed and gives extra friction when the lifting force is parallel.

Lifting forces & Technical data

Lifting force vertical to the surface, N, at vacuum level			Lifting force parallel to the surface, N, at vacuum level			Volume	Min. curve radius	Max. vertical movement	Weight rubber part
20 -kPa	60 -kPa	90 -kPa	20 -kPa	60 -kPa	90 -kPa	cm ³	mm	mm	g
300	850	1100	250	600	800	160	500	6.0	200

Material specifications

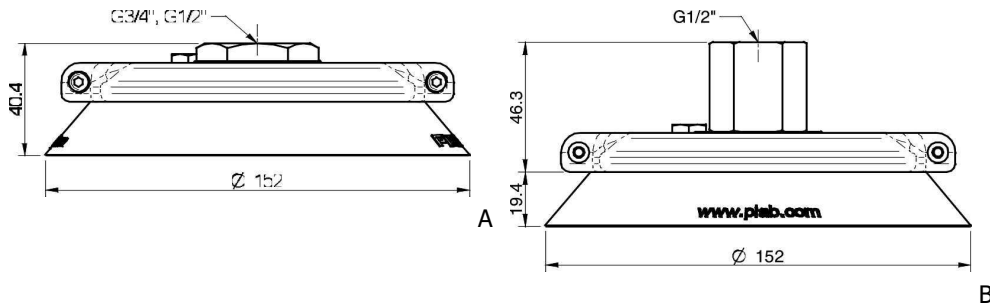
Material	Colour	Hardness °Shore A	Temperature range °C
Nitrile-PVC, NPV	Black	50	0–90
Silicone, SIL	Red	50	-40–200

Material resistance

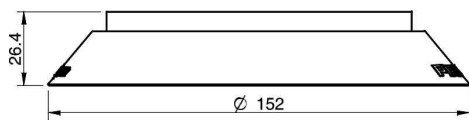
Material	Wear resistance	Oil	Weather & Ozone	Hydrolysis	Petrol	Concentrated acids	Alcohol	Oxidation
Nitrile-PVC, NPV	Excellent	Excellent	Good	Good	Excellent	Fair	Good	Good
Silicone, SIL	Good	Poor	Excellent	Fair	Poor	Poor	Good	Excellent

Ordering information

Complete suction cups		Art. No.
A	Suction cup F150 Nitrile-PVC, G3/4" female, with mesh filter	0101939
A	Suction cup F150 Nitrile-PVC, G1/2" female, with mesh filter	0101938
B	Suction cup F150 Nitrile-PVC, G1/2" female, with cone valve	0101941
A	Suction cup F150 Silicone, G3/4" female, with mesh filter	0101935
A	Suction cup F150 Silicone, G1/2" female, with mesh filter	0101934
B	Suction cup F150 Silicone, G1/2" female, with cone valve	0101937



Rubber parts		Art. No.
Suction cup F150 Nitrile-PVC		3150133P
Suction cup F150 Silicone		3150133S



Fittings		Art. No.
Fitting 150, G1/2" female, with mesh filter		0100564
Fitting 150, G3/4" female, with mesh filter		0100567
Fitting 150, G1/2" female, with cone valve		0100566

Spare part	Material	Temperature range °C	Art. No.
Cone valve for Fitting 110 & 150	Al/SS/NBR	-40–110	3350034