



## F20 FDA

### Flat suction cup with cleats

- The silicone material complies with FDA 21 CFR 177.2600.
- Suitable for flat objects.
- Good stability and little inherent movement.
- Recommended when the lifting force is parallel to the surface of the object.
- Cleats prevent thin, sensitive objects from being deformed and gives extra friction when the lifting force is parallel.

#### Lifting forces & Technical data

Lifting force vertical to the surface, N, at vacuum level			Lifting force parallel to the surface, N, at vacuum level			Volume	Min. curve radius	Max. vertical movement	Weight rubber part
20 -kPa	60 -kPa	90 -kPa	20 -kPa	60 -kPa	90 -kPa	cm <sup>3</sup>	mm	mm	g
6.0	14.5	19.0	5.0	8.0	8.5	1.0	18	1.5	1.2

#### Material specifications

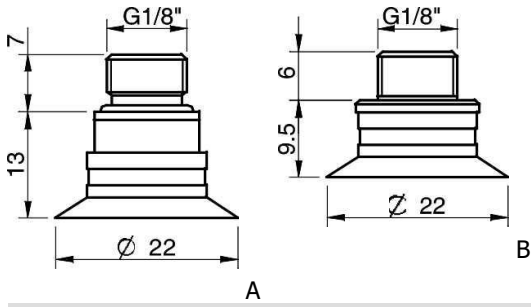
Material	Colour	Hardness °Shore A	Temperature range °C
Silicone, SIL FDA	Transparent	50	-40–200

#### Material resistance

Material	Wear resistance	Oil	Weather & ozone	Hydrolysis	Petrol	Concentrated acids	Alcohol	Oxidation
Silicone, SIL FDA	Good	Poor	Excellent	Fair	Poor	Poor	Good	Excellent

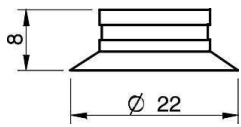
Ordering information

Complete suction cups		Art. No.
A	Suction cup F20 Silicone FDA, G1/8" male, with mesh filter	9909624
B	Suction cup F20 Silicone FDA, G1/8" male/M5 female, with mesh filter	9909710



Rubber parts

Rubber parts		Art. No.
Suction cup F20 Silicone FDA		0200417



Fittings

Fittings		Art. No.
Fitting G1/8" male, with mesh filter		3250085
Fitting G1/8" male/M5 female, with mesh filter		0101152