

F20MF



F20MF

Flat suction cup with cleats, mark free

- left Suction cup of TPU, a mark free material that leaves no trace on the object being handled.
- Suitable for flat surfaces.
- Good stability and little inherent movement.
- Recommended when the lifting force is parallel to the surface of the object.

Lifting forces & Technical data

Lifting force vertical to the surface, N, at vacuum level			Lifting force parallel to the surface, N, at vacuum level			Volume	Min. curve radius	Max. vertical movement	Weight rubber part
20 -kPa	60 -kPa	90 -kPa	20 -kPa	60 -kPa	90 -kPa	cm ³	mm	mm	g
3.6	14.5	22.0	8.0	14.5	21.0	1.0	18	2.0	1.2

Material specifications

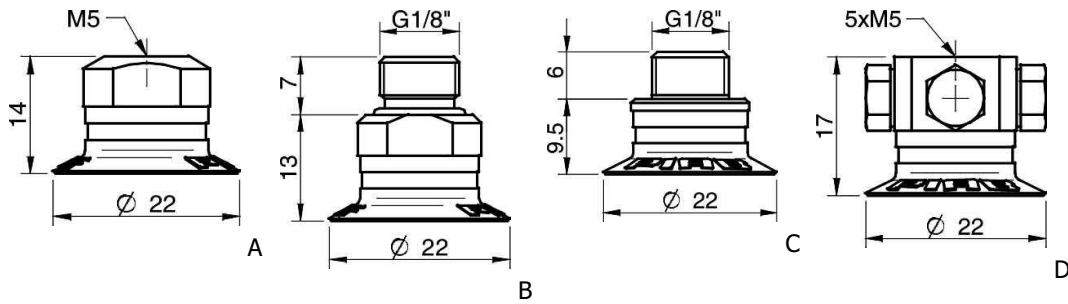
Material	Colour	Hardness °Shore A	Temperature range °C
Thermoelastic polyurethane, TPU	Transparent white	81	-20–80

Material resistance

Wear resistance	Oil	Weather & Ozone	Hydrolysis	Petrol	Concentrated acids	Alcohol	Oxidation
Excellent	Excellent	Excellent	Poor	Poor	Poor	Good	Good

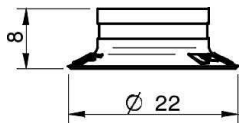
Ordering information

Complete suction cups		Art. No.
A	Suction cup F20MF Thermoelastic polyurethane, M5 female	0101281
B	Suction cup F20MF Thermoelastic polyurethane, G1/8" male, with mesh filter	0101282
B	Suction cup F20MF Thermoelastic polyurethane, G1/8" male, with mesh filter and dual flow control valve	0101288
C	Suction cup F20MF Thermoelastic polyurethane, G1/8" male / M5 female, with mesh filter	0101286
C	Suction cup F20MF Thermoelastic polyurethane, G1/8" male / M5 fem., with dual flow control valve	0101290
D	Suction cup F20MF Thermoelastic polyurethane, 5xM5 female	0101285
D	Suction cup F20MF Thermoelastic polyurethane, 5xM5 female, with dual flow control valve	0101291



Rubber parts

	Art. No.
Suction cup F20MF Thermoelastic polyurethane	0101139



Fittings

	Art. No.
Fitting M5 female	3250003
Fitting M5 female, with dual flow control valve	3251001
Fitting G1/8" male, with mesh filter	3250085
Fitting G1/8" male, with mesh filter and dual flow control valve	3251002
Fitting G1/8" male/M5 female, with mesh filter	0101152
Fitting G1/8" male/M5 female, with dual flow control valve	3251004
Fitting 5xM5 female	0100260
Fitting 5xM5 female, with dual flow control valve	3251005
Fitting G1/8" male/M5 female, PA	3150196