

F110P



F110P

Flat suction cup with cleats



- Suitable for flat and rough surfaces.
- Fair stability and little inherent movement.
- Recommended when the lifting force is parallel to the surface of the object.
- Dual hardness allowing strength and stability in conjunction with softness and flexibility.
- DURAFLEX® material features the elasticity of rubber in combination with the wear resistance of polyurethane.
- The DURAFLEX® material is mark-free.

Lifting forces & Technical data

Material	Outer Dia in	Lifting force vertical to the surface, lbf, at vacuum level			Lifting force parallel to the surface, lbf, at vacuum level			Volume in ³	Min. curve radius in	Max. vertical movement in	Weight rubber parts oz
		6 -inHg	18 -inHg	27 -inHg	6 -inHg	18 -inHg	27 -inHg				
PU30°/60°	4.53	37.5	97.1	133	33.5	99.1	139	3.66	9.84	0.16	2.89
PU60°	4.53	42.9	112	158	66.8	118	149	3.66	9.84	0.16	4.69

Material specifications

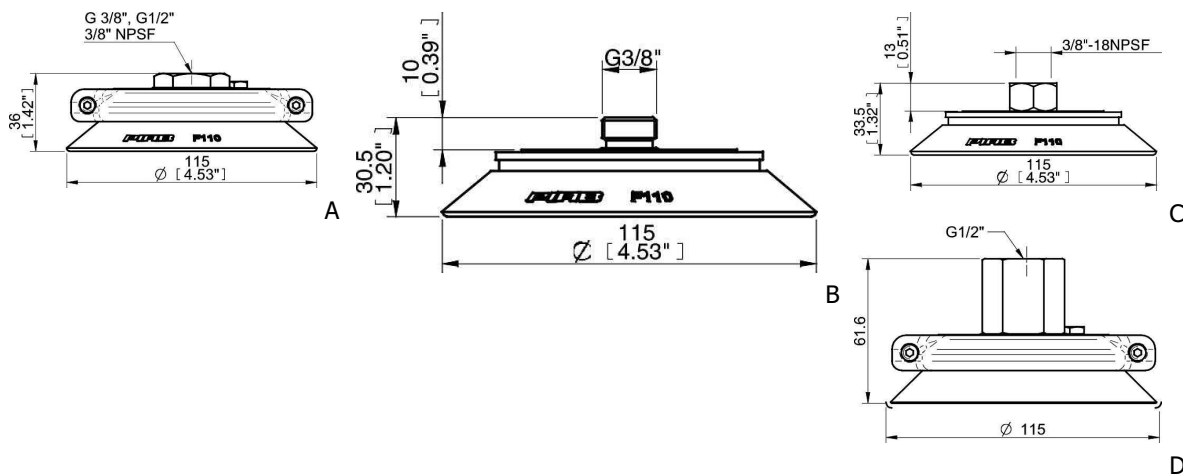
Material	Color	Hardness °Shore A	Temperature range °F
Polyurethane, PU30	Yellow transparent	30	50-122
Polyurethane, PU60	Green transparent	60	50-122

Material resistance

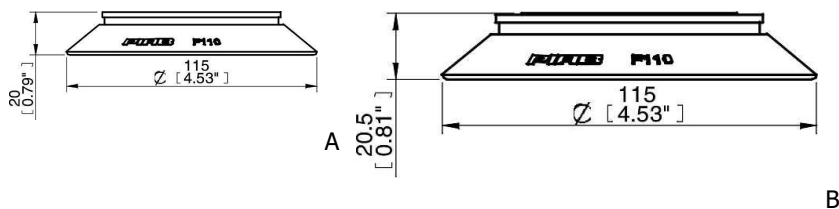
Wear resistance	Oil	Weather & ozone	Hydrolysis	Gasoline	Concentrated acids	Ethanol	Methanol	Oxidation
Excellent	Excellent	Excellent	Fair	Fair	Fair	Fair	Poor	Poor

Ordering information

Suction cups with fitting		Part No.
A	Suction cup F110P Polyurethane 30/60, G3/8" female, with mesh filter	F110P.4K.11NA
A	Suction cup F110P Polyurethane 30/60, 3/8" NPSF female, with mesh filter	F110P.4K.11NB
A	Suction cup F110P Polyurethane 30/60, G1/2" female, with mesh filter	F110P.4K.11NC
D	Suction cup F110P Polyurethane 30/60, G1/2" female, clamp ring with cone valve	F110P.4K.11VC
A	Suction cup F110P Polyurethane 60, G3/8" female, with mesh filter	F110P.4E.11NA
A	Suction cup F110P Polyurethane 60, 3/8" NPSF female, with mesh filter	F110P.4E.11NB
A	Suction cup F110P Polyurethane 60, G1/2" female, with mesh filter	F110P.4E.11NC
D	Suction cup F110P Polyurethane 60, G1/2" female, clamp ring with cone valve	F110P.4E.11VC
B	Suction cup F110P Polyurethane 30/60, thread insert G3/8" with mesh filter for Vacuum Gripper System (VGS)	F110P.5K.G40M
B	Suction cup F110P Polyurethane 60, thread insert G3/8", with mesh filter for Vacuum Gripper System (VGS)	F110P.5E.G40M
C	Suction cup F110P Polyurethane 30/60, brass 3/8" NPSF female	F110P.5K.N40W
C	Suction cup F110P Polyurethane 60, brass 3/8" NPSF female	F110P.5E.N40W



Rubber parts		Part No.
A	Suction cup F110P Polyurethane 30/60	F110P.4K
A	Suction cup F110P Polyurethane 60	F110P.4E
B	Suction cup F110P Polyurethane 30/60 with collar for Vacuum Gripper System (VGS)	F110P.5K
B	Suction cup F110P Polyurethane 60 with collar for Vacuum Gripper System (VGS)	F110P.5E



Description	Part No.
Fitting 110 G3/8" female, clamp ring with mesh filter	11NA
Fitting 110, 3/8" NPSF female, with mesh filter	11NB
Fitting 110, G1/2" female, clamp ring with mesh filter	11NC
Fitting 110, G1/2" female, with cone valve	11VC
Thread insert G3/8" male, with O-ring and mesh filter for Vacuum Gripper System (VGS)	01.07.148

Spare part	Material	Temperature range °C	Part. No.
------------	----------	----------------------	-----------

