

# BL20-2



## BL20-2

### Suction cup with long bellows

- Suitable for level adjustment.
- Lifting movement to separate small and thin objects.
- Less suitable when the lifting force is parallel to the surface of the object.
- Optional reinforcement rings made of polyamide.

#### Lifting forces & Technical data

Outer Dia. in	Lifting force vertical to the surface, lbf, at vacuum level			Lifting force parallel to the surface, lbf, at vacuum level			Volume in <sup>3</sup>	Min. curve radius in	Max. vertical movement in	Weight rubber part oz
	6 -inHg	18 -inHg	27 -inHg	6 -inHg	18 -inHg	27 -inHg				
0.79	0.07/0.70*	0.14/1.40*	—	—	—	—	0.24	0.16	0.51	0.11

\*Lifting force with reinforcement rings.

#### Material specifications

Material	Color	Hardness °Shore A	Temperature range °F
Chloroprene, CR	Black	60	-40-230
Silicone, SIL	Red	50	-40-392
HNBR	Blue	50	-22 - 284*

\*For a shorter period of time up to 320°F

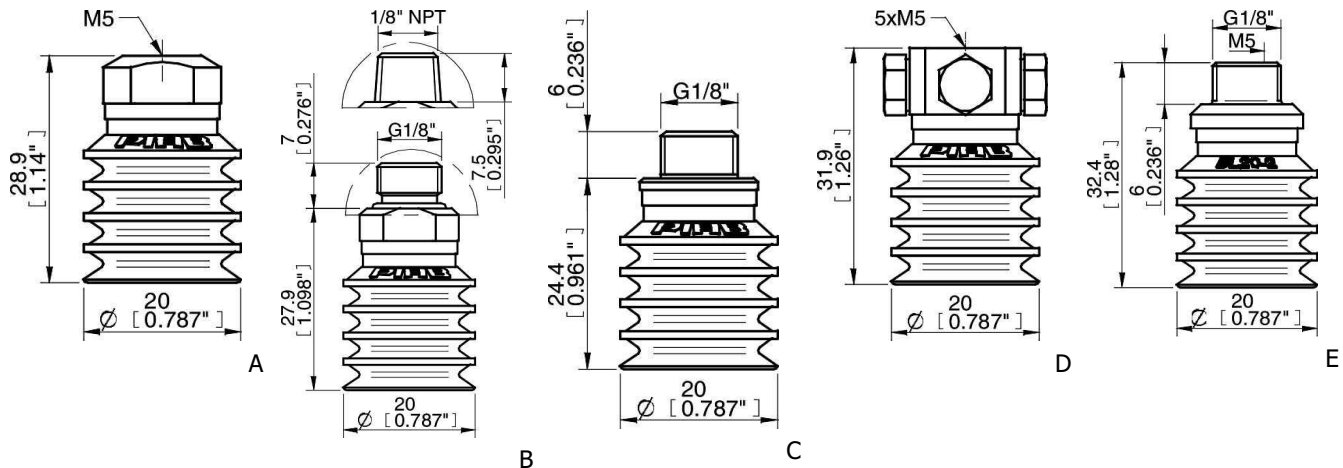
#### Material resistance

Material	Wear resistance	Oil	Weather & ozone	Hydrolysis	Gasoline	Concentrated acids	Alcohol	Oxidation
Chloroprene, CR	Excellent	Fair	Good	Good	Fair	Poor	Good	Good
Silicone, SIL	Good	Poor	Excellent	Fair	Poor	Poor	Good	Excellent
HNBR	Excellent	Excellent	Excellent	Good	Excellent	Fair	Good	Excellent

Spare Part	Material	Temperature range °F	Part No.
Reinforcement ring for BL20-2, 4x	Polyamide, PA	-40-230	31.50.071

Ordering information

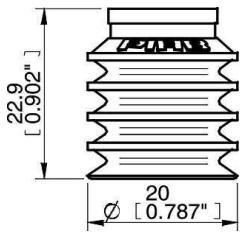
	Suction cups with fitting	Weight (oz)	Part No.
A	Suction cup BL20-2 Chloroprene, M5 female	0.22	BL20-2.10.02AA
B	Suction cup BL20-2 Chloroprene, G1/8" male, with mesh filter	0.22	BL20-2.10.02AB
B	Suction cup BL20-2 Chloroprene, G1/8" male, with mesh filter and dual flow control valve	0.22	BL20-2.10.02DB
B	Suction cup BL20-2 Chloroprene, 1/8" NPT male, with mesh filter	0.22	BL20-2.10.02AC
C	Suction cup BL20-2 Chloroprene, G1/8" male/M5 female	0.18	BL20-2.10.02AD
C	Suction cup BL20-2 Chloroprene, G1/8" male/M5 female, with mesh filter	0.18	BL20-2.10.02AF
C	Suction cup BL20-2 Chloroprene, G1/8" male/M5 female, with dual flow control valve	0.18	BL20-2.10.02DD
D	Suction cup BL20-2 Chloroprene, 5xM5 female	0.46	BL20-2.10.02AE
E	Suction cup BL20-2 Chloroprene, G1/8" male/M5 female, PA	0.17	BL20-2.10.02CD
A	Suction cup BL20-2 Silicone, M5 female	0.22	BL20-2.20.02AA
A	Suction cup BL20-2 Silicone, M5 female, with dual flow control valve	0.22	BL20-2.20.02DA
B	Suction cup BL20-2 Silicone, G1/8" male, with mesh filter	0.22	BL20-2.20.02AB
B	Suction cup BL20-2 Silicone, G1/8" male, with mesh filter and dual flow control valve	0.22	BL20-2.20.02DB
B	Suction cup BL20-2 Silicone, 1/8" NPT male, with mesh filter	0.22	BL20-2.20.02AC
C	Suction cup BL20-2 Silicone, G1/8" male/M5 female	0.18	BL20-2.20.02AD
C	Suction cup BL20-2 Silicone, G1/8" male/M5 female, with mesh filter	0.18	BL20-2.20.02AF
D	Suction cup BL20-2 Silicone, 5xM5 female	0.46	BL20-2.20.02AE
E	Suction cup BL20-2 Silicone, G1/8" male/M5 female, PA	0.17	BL20-2.20.02CD
A	Suction cup BL20-2 HNBR, M5 female	0.22	BL20-2.47.02AA
A	Suction cup BL20-2 HNBR, M5 female, with dual flow control valve	0.22	BL20-2.47.02DA
B	Suction cup BL20-2 HNBR, G1/8" male, with mesh filter	0.22	BL20-2.47.02AB
B	Suction cup BL20-2 HNBR, G1/8" male, with mesh filter and dual flow control valve	0.22	BL20-2.47.02DB
B	Suction cup BL20-2 HNBR, 1/8" NPT male, with mesh filter	0.22	BL20-2.47.02AC
C	Suction cup BL20-2 HNBR, G1/8" male/M5 female	0.18	BL20-2.47.02AD
C	Suction cup BL20-2 HNBR, G1/8" male/M5 female, with mesh filter	0.18	BL20-2.47.02AF
D	Suction cup BL20-2 HNBR, 5xM5 female	0.46	BL20-2.47.02AE
E	Suction cup BL20-2 HNBR, G1/8" male/M5 female, PA	0.17	BL20-2.47.02CD



Rubber parts

Part No.

Suction cup BL20-2 Chloroprene	BL20-2.10
Suction cup BL20-2 Silicone	BL20-2.20
Suction cup BL20-2 HNBR	BL20-2.37



Fittings	Part No.
Fitting M5 female	02AA
Fitting M5 female, with dual flow control valve	02DA
Fitting G1/8" male, with mesh filter	02AB
Fitting G1/8" male, with mesh filter and dual flow control valve	02DB
Fitting 1/8" NPT male, with mesh filter	02AC
Fitting 1/8" NPT male, with dual flow control valve	02DC
Fitting G1/8" male/M5 female	02AD
Fitting G1/8" male/M5 female, with mesh filter	02AF
Fitting G1/8" male/M5 female, with dual flow control valve	02DD
Fitting 5xM5 female	02AE
Fitting 5xM5 female, with dual flow control valve	02DE
Fitting G1/8" male/M5 female, PA	02CD