

# BL30-2



## BL30-2

### Suction cup with long bellows

- Suitable for level adjustment.
- Lifting movement to separate small and thin objects.
- Less suitable when the lifting force is parallel to the surface of the object.
- Optional reinforcement rings made of polyamide.

#### Lifting forces & Technical data

Outer Dia in	Lifting force vertical to the surface, lbf, at vacuum level			Lifting force parallel to the surface, lbf, at vacuum level			Volume in <sup>3</sup>	Min. curve radius in	Max. vertical movement in	Weight rubber part oz
	6 -inHg	18 -inHg	27 -inHg	6 -inHg	18 -inHg	27 -inHg				
1.18	0.14/1.40*	0.36/3.60*	—	—	—	—	0.61	0.31	0.79	0.25

\*Lifting force with reinforcement rings.

#### Material specifications

Material	Color	Hardness °Shore A	Temperature range °F
Chloroprene, CR	Black	60	-40-230
Silicone, SIL	Red	50	-40-392

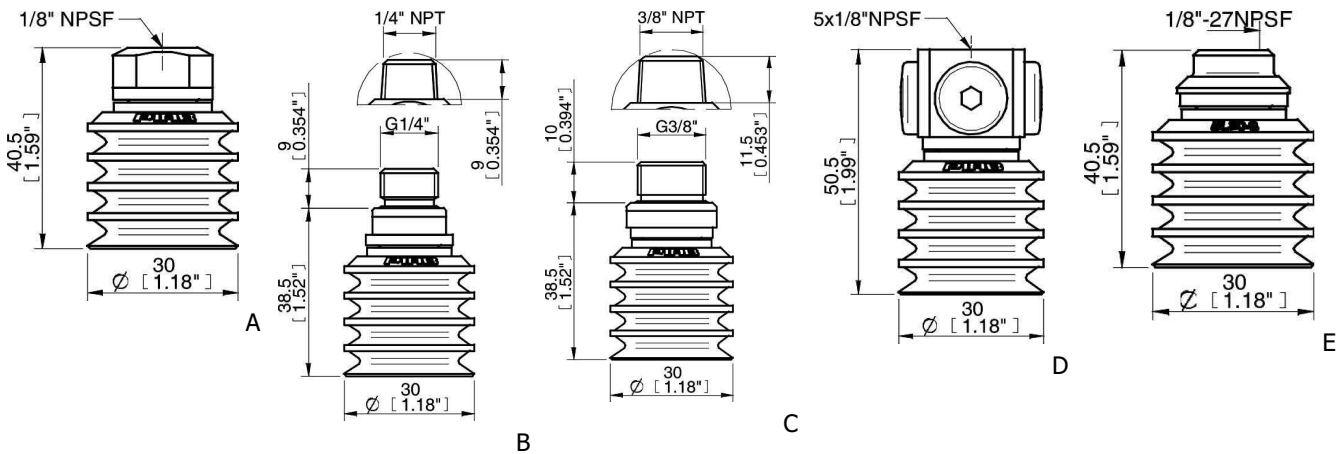
#### Material resistance

Material	Wear resistance	Oil	Weather & ozone	Hydrolysis	Gasoline	Concentrated acids	Alcohol	Oxidation
Chloroprene, CR	Excellent	Fair	Good	Good	Fair	Poor	Good	Good
Silicone, SIL	Good	Poor	Excellent	Fair	Poor	Poor	Good	Excellent

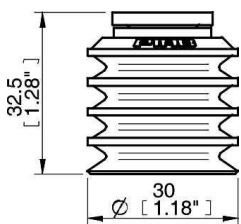
Spare Part	Material	Temperature range °F	Part No.
Reinforcement ring for BL30-2, 4x	Polyamide, PA	-40-230	31.50.072

Ordering information

Suction cups with fitting		Weight (oz)	Part No.
A	Suction cup BL30-2 Chloroprene, 1/8" NPSF female	0.39	BL30-2.10.04AA
A	Suction cup BL30-2 Chloroprene, 1/8" NPSF female, with mesh filter	0.39	BL30-2.10.04AG
A	Suction cup BL30-2 Chloroprene, 1/8" NPSF female, with dual flow control valve	0.39	BL30-2.10.04DA
B	Suction cup BL30-2 Chloroprene, G1/4" male, with mesh filter	0.43	BL30-2.10.04AB
B	Suction cup BL30-2 Chloroprene, G1/4" male, with dual flow control valve	0.43	BL30-2.10.04DB
B	Suction cup BL30-2 Chloroprene, 1/4" NPT male, with mesh filter	0.43	BL30-2.10.04AC
C	Suction cup BL30-2 Chloroprene, G3/8" male, with mesh filter	0.53	BL30-2.10.04AD
C	Suction cup BL30-2 Chloroprene, 3/8" NPT male, with mesh filter	0.53	BL30-2.10.04AE
E	Suction cup BL30-2 Chloroprene, 1/8" NPSF female, PA	0.26	BL30-2.10.04CA
A	Suction cup BL30-2 Silicone, 1/8" NPSF female	0.39	BL30-2.20.04AA
A	Suction cup BL30-2 Silicone, 1/8" NPSF female, with mesh filter	0.39	BL30-2.20.04AG
A	Suction cup BL30-2 Silicone, 1/8" NPSF female, with dual flow control valve	0.39	BL30-2.20.04DA
B	Suction cup BL30-2 Silicone, G1/4" male, with mesh filter	0.43	BL30-2.20.04AB
B	Suction cup BL30-2 Silicone, G1/4" male, with dual flow control valve	0.43	BL30-2.20.04DB
B	Suction cup BL30-2 Silicone, 1/4" NPT male, with mesh filter	0.43	BL30-2.20.04AC
B	Suction cup BL30-2 Silicone, 1/4" NPT male, with dual flow control valve	0.43	BL30-2.20.04DC
C	Suction cup BL30-2 Silicone, G3/8" male, with mesh filter	0.53	BL30-2.20.04AD
C	Suction cup BL30-2 Silicone, 3/8" NPT male, with mesh filter	0.53	BL30-2.20.04AE
D	Suction cup BL30-2 Silicone, 5x1/8" NPSF female	0.89	BL30-2.20.04AF
E	Suction cup BL30-2 Silicone, 1/8" NPSF female, PA	0.26	BL30-2.20.04CA



Rubber parts	Part No.
Suction cup BL30-2 Chloroprene	BL30-2.10
Suction cup BL30-2 Silicone	BL30-2.20



Fittings	Part No.
Fitting 1/8" NPSF female, 30-40	04AA

Fitting 1/8" NPSF female, 30–40, with mesh filter	04AG
Fitting 1/8" NPSF female, 30–40, with dual flow control valve	04DA
Fitting G1/8" male, 40, with mesh filter	04AI
Fitting G1/4" male, 30–40, with mesh filter	04AB
Fitting G1/4" male, 30–40, with dual flow control valve	04DB
Fitting 1/4" NPT male, with mesh filter	04AC
Fitting 1/4" NPT male, with dual flow control valve	04DC
Fitting G3/8" male, 30–40, with mesh filter	04AD
Fitting G3/8" male, 30–40, with dual flow control valve	04DD
Fitting 3/8" NPT male, with mesh filter	04AE
Fitting 3/8" NPT male, with dual flow control valve	04DE
Fitting 5x1/8" NPSF female, 30–40	04AF
Fitting 5x1/8" NPSF female, 30–40, with dual flow control valve	04DF
Fitting 1/8" NPSF female, 30–40, PA	04CA