

# BL50-2



## BL50-2

### Suction cup with long bellows

- Suitable for level adjustment.
- Lifting movement to separate small and thin objects.
- Less suitable when the lifting force is parallel to the surface of the object.
- Optional reinforcement rings made of polyamide.

#### Lifting forces & Technical data

Outer Dia in	Lifting force vertical to the surface, lbf, at vacuum level			Lifting force parallel to the surface, lbf, at vacuum level			Volume in <sup>3</sup>	Min. curve radius in	Max. vertical movement in	Weight rubber part oz
	6 -inHg	18 -inHg	27 -inHg	6 -inHg	18 -inHg	27 -inHg				
1.89	0.38/3.80*	0.97/9.70*	—	—	—	—	3.23	0.51	1.34	0.71

\*Lifting force with reinforcement rings.

#### Material specifications

Material	Color	Hardness °Shore A	Temperature range °F
Chloroprene, CR	Black	60	-40–230
Silicone, SIL	Red	50	-40–392

#### Material resistance

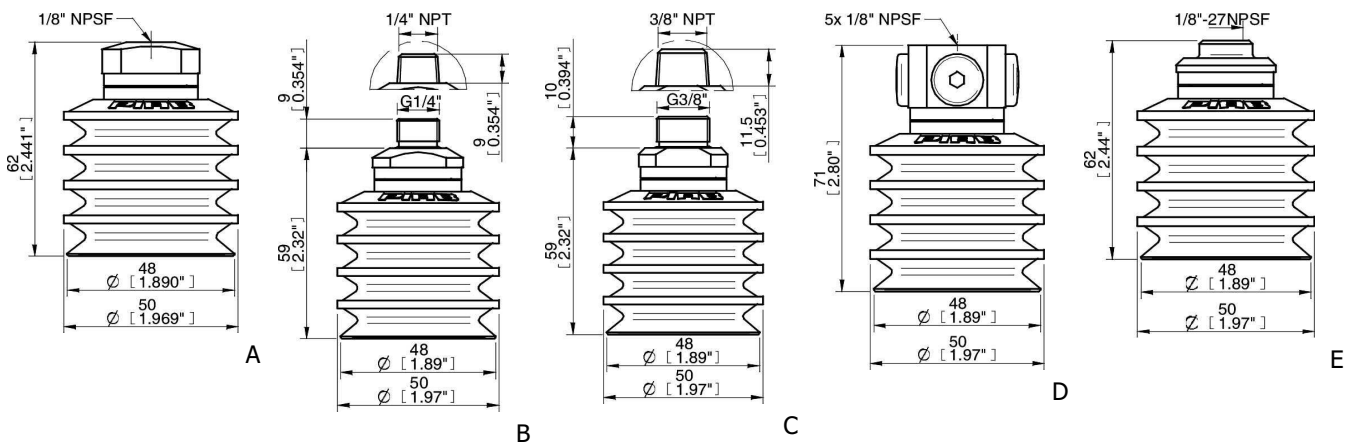
Material	Wear resistance	Oil	Weather & ozone	Hydrolysis	Gasoline	Concentrated acids	Alcohol	Oxidation
Chloroprene, CR	Excellent	Fair	Good	Good	Fair	Poor	Good	Good
Silicone, SIL	Good	Poor	Excellent	Fair	Poor	Poor	Good	Excellent

#### Spare Part

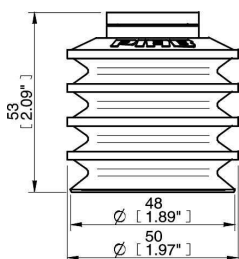
	Material	Temperature range °F	Part No.
Reinforcement ring for BL50-2, 4x	Polyamide, PA	-40-230	31.50.074

Ordering information

	Suction cups with fitting	Weight (oz)	Part No.
A	Suction cup BL50-2 Chloroprene, 1/8" NPSF female	1.06	BL50-2.10.05AA
A	Suction cup BL50-2 Chloroprene, 1/8" NPSF female, with mesh filter	1.06	BL50-2.10.05AG
A	Suction cup BL50-2 Chloroprene, 1/8" NPSF female, with dual flow control valve	1.06	BL50-2.10.05DA
B	Suction cup BL50-2 Chloroprene, G1/4" male, with mesh filter	1.06	BL50-2.10.05AB
B	Suction cup BL50-2 Chloroprene, G1/4" male, with mesh filter and dual flow control valve	1.06	BL50-2.10.05DB
B	Suction cup BL50-2 Chloroprene, 1/4" NPT male, with mesh filter	1.06	BL50-2.10.05AC
C	Suction cup BL50-2 Chloroprene, G3/8" male, with mesh filter	1.06	BL50-2.10.05AD
C	Suction cup BL50-2 Chloroprene, G3/8" male, with mesh filter and dual flow control valve	1.06	BL50-2.10.05DD
D	Suction cup BL50-2 Chloroprene, 5x1/8" NPSF female	1.77	BL50-2.10.05AF
E	Suction cup BL50-2 Chloroprene, 1/8" NPSF female, PA	0.91	BL50-2.10.05CA
A	Suction cup BL50-2 Silicone, 1/8" NPSF female	1.06	BL50-2.20.05AA
A	Suction cup BL50-2 Silicone, 1/8" NPSF female, with mesh filter	1.06	BL50-2.20.05AG
A	Suction cup BL50-2 Silicone, 1/8" NPSF female, with dual flow control valve	1.06	BL50-2.20.05DA
B	Suction cup BL50-2 Silicone, G1/4" male, with mesh filter	1.06	BL50-2.20.05AB
B	Suction cup BL50-2 Silicone, 1/4" NPT male, with mesh filter	1.06	BL50-2.20.05AC
B	Suction cup BL50-2 Silicone, 1/4" NPT male, with dual flow control valve	1.06	BL50-2.20.05DC
C	Suction cup BL50-2 Silicone, G3/8" male, with mesh filter	1.06	BL50-2.20.05AD
C	Suction cup BL50-2 Silicone, 3/8" NPT male, with mesh filter	1.06	BL50-2.20.05AE
E	Suction cup BL50-2 Silicone, 1/8" NPSF female, PA	0.91	BL50-2.20.05CA



Rubber parts	Part No.
Suction cup BL50-2 Chloroprene	BL50-2.10
Suction cup BL50-2 Silicone	BL50-2.20



Fittings	Part No.
----------	----------

Fitting 1/8" NPSF female, 50	05AA
Fitting 1/8" NPSF female, 50, with mesh filter	05AG
Fitting 1/8" NPSF female, 50, with dual flow control valve	05DA
Fitting G1/8" male, 50, with mesh filter	05AI
Fitting G1/4" male, 50, with mesh filter	05AB
Fitting G1/4" male, with dual flow control valve	05DB
Fitting 1/4" NPT male, with mesh filter	05AC
Fitting 1/4" NPT male, with dual flow control valve	05DC
Fitting G3/8" male, 50, with mesh filter	05AD
Fitting G3/8" male, 50, with mesh filter and dual flow control valve	05DD
Fitting 3/8" NPT male, with mesh filter	05AE
Fitting 3/8" NPT male, with dual flow control valve	05DE
Fitting 5x1/8" NPSF female, 50	05AF
Fitting 5x1/8" NPSF female, 50, with dual flow control valve	05DF
Fitting 1/8" NPSF female, 50, PA	05CA