



BL40-5 FDA

Suction cup specially optimized for difficult bag handling

- The silicone material complies with FDA 21 CFR 177.2600
- High initial flow, with re-enforced bellows and long, thin lip
- Suitable for handling difficult-to-handle bags, e.g., bags filled with liquid, frozen food, and for heavy bags
- Suitable working temperature is -40–392 °F
- Suitable for level compensation

Lifting forces & technical data

Outer Dia in	Lifting force vertical to the surface, lbf, at vacuum level		Volume in ³	Min. curve radius in	Max. vertical movement in	Weight rubber part oz
	6 -inHg	18 -inHg				
1.58	2.92	3.37	0.85	0.87	0.79	0.35

Material specifications

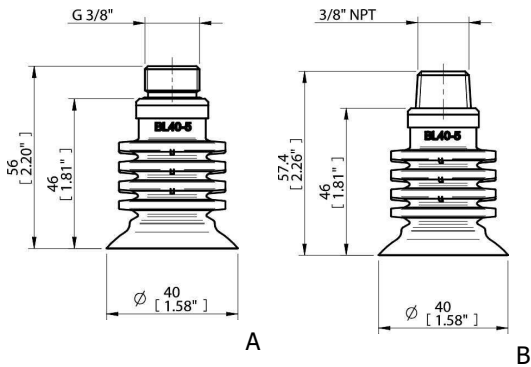
Material	Color	Hardness °Shore A	Temperature range °F
Silicone, SIL FDA	Transparent	40	-40–392

Material resistance

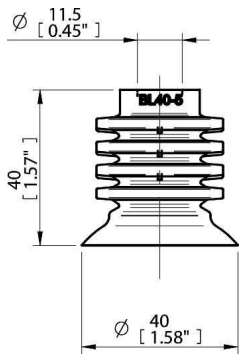
Material	Wear resistance	Oil	Weather & ozone	Hydrolysis	Gasoline	Concentrated acids	Alcohol	Oxidation
Silicone, SIL FDA	Good	Poor	Excellent	Fair	Poor	Poor	Good	Excellent

Ordering information

Suction cups with fitting		Part No.
A	Suction cup BL40-5 Silicone FDA, G3/8" male	BL40-5.21.04AJ
B	Suction cup BL40-5 Silicone FDA, 3/8" NPT male	BL40-5.21.04AL



Rubber part	Part No.
Suction cup BL40-5 Silicone FDA	BL40-5.21



Description	Part No.
Fitting G3/8" male, bag	04AJ
Fitting 3/8" NPT male, bag	04AL