

OB50X140P



OB50X140P

Oval suction cup with short bellows

- Suitable for level adjustment. Can handle objects with height differences and varying shapes, for example embossed or corrugated plates.
- Lifting movement to separate small and thin objects.
- Dual hardness allowing strength and stability in conjunction with softness and flexibility.
- DURAFLEX® material features the elasticity of rubber in combination with the wear resistance of polyurethane.
- The DURAFLEX® material is mark-free.

Lifting forces & Technical data

Outer Dia in	Material	Lifting force vertical to the surface, lbf, at vacuum level			Lifting force parallel to the surface, lbf, at vacuum level			Volume in ³	Min. curve radius in	Max. vertical movement in	Weight with fitting oz
		6 - inHg	18 - inHg	27 - inHg	6 - inHg	18 - inHg	27 - inHg				
2.33x5.75	PU30°/60°	13.0	52.8	82.3	24.7	58.5	78.5	5.80	0.91	0.44	5.85
2.33x5.75	PU60°	17.3	51.9	82.7	27.4	65.6	89.0	5.80	1.02	0.44	5.85

Material specifications

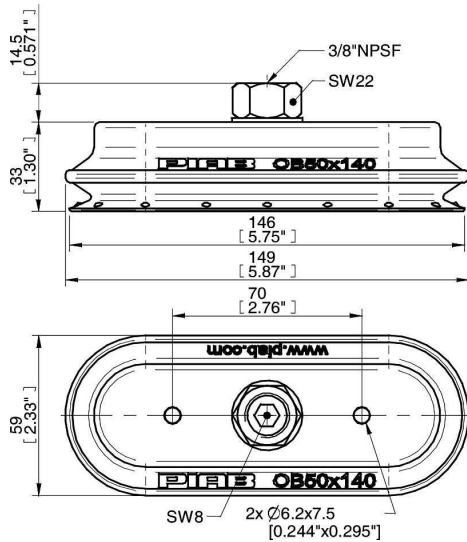
Material	Color	Hardness °Shore A	Temperature range °F
Polyurethane, PU30	Yellow transparent	30	50–122
Polyurethane, PU60	Green transparent	60	50–122

Material resistance

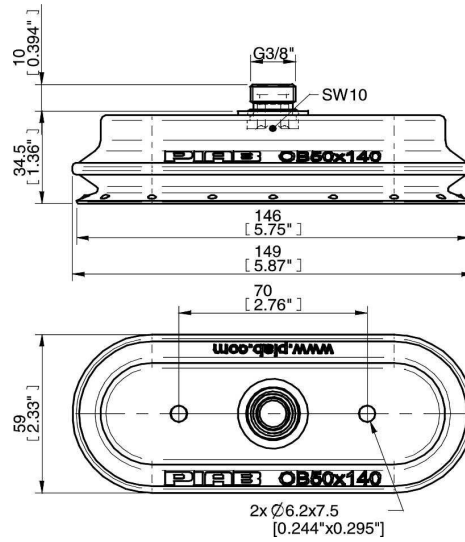
Wear resistance	Oil	Weather & ozone	Hydrolysis	Gasoline	Concentrated acids	Ethanol	Methanol	Oxidation
Excellent	Excellent	Excellent	Fair	Fair	Fair	Fair	Poor	Poor

Ordering information

Suction cups with fitting		Part No.
A	Suction cup OB50x140P Polyurethane 30/60, brass 3/8" NPSF female	OB50X140P.5K.N40W
A	Suction cup OB50x140P Polyurethane 60, brass 3/8" NPSF female	OB50X140P.5E.N40W
B	Suction cup OB50x140P Polyurethane 30/60, thread insert G3/8" with mesh filter for Vacuum Gripper System (VGS)	OB50X140P.5K.G40M
B	Suction cup OB50x140P Polyurethane 60, thread insert G3/8" with mesh filter for Vacuum Gripper System (VGS)	OB50X140P.5E.G40M



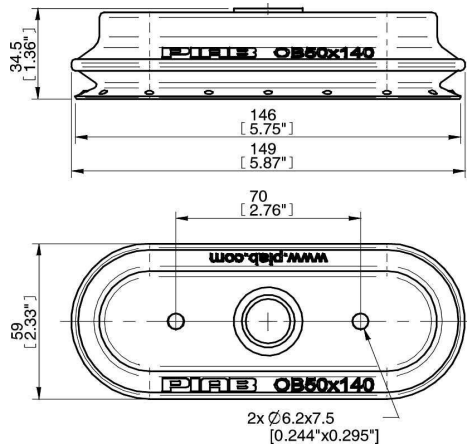
A



B

Rubber parts

Rubber parts		Part No.
Suction cup OB50x140P Polyurethane 30/60 with collar for Vacuum Gripper System (VGS)		OB50X140P.5K
Suction cup OB50x140P Polyurethane 60 with collar for Vacuum Gripper System (VGS)		OB50X140P.5E



Fittings

Fittings		Part No.
Thread insert G3/8" male, with O-ring and mesh filter for Vacuum Gripper System (VGS)		01.07.148