

OB65X170P



OB65X170P

Oval suction cup with short bellows

- Suitable for level adjustment. Can handle objects with height differences and varying shapes, for example embossed or corrugated plates.
- Lifting movement to separate small and thin objects.
- Dual hardness allowing strength and stability in conjunction with softness and flexibility.
- DURAFLEX® material features the elasticity of rubber in combination with the wear resistance of polyurethane.
- The DURAFLEX® material is mark-free.

Lifting forces & Technical data

Outer Dia in	Material	Lifting force vertical to the surface, lbf at vacuum level			Lifting force parallel to the surface, lbf, at vacuum level			Volume in ³	Min. curve radius in	Max. vertical movement in	Weight with fitting oz
		6 - inHg	18 - inHg	27 - inHg	6 - inHg	18 - inHg	27 - inHg				
2.99x6.98	PU30°/60°	26.8	75.3	122	31.7	85.2	120	10.7	1.50	0.63	9.77
2.99x6.98	PU60°	29.2	69.7	120	38.2	98.9	135	10.7	1.50	0.63	9.77

Material specifications

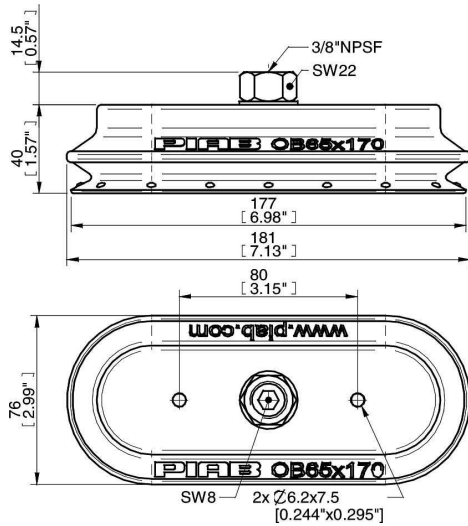
Material	Color	Hardness °Shore A	Temperature range °F
Polyurethane, PU30	Yellow transparent	30	50–122
Polyurethane, PU60	Green transparent	60	50–122

Material resistance

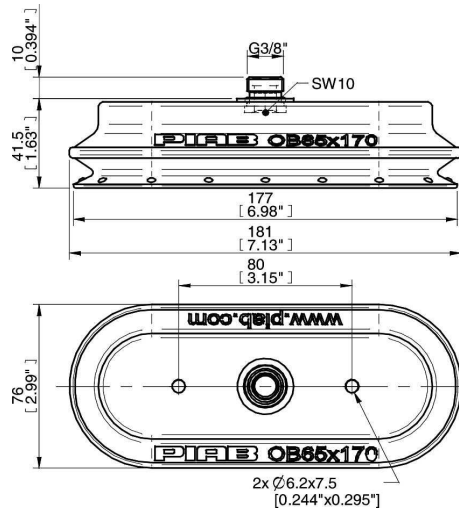
Wear resistance	Oil	Weather & ozone	Hydrolysis	Gasoline	Concentrated acids	Ethanol	Methanol	Oxidation
Excellent	Excellent	Excellent	Fair	Fair	Fair	Fair	Poor	Poor

Ordering information

Suction cups with fitting		Part. No.
A	Suction cup OB65x170P Polyurethane 30/60, brass 3/8" NPSF female	OB65X170P.5K.N40W
A	Suction cup OB65x170P Polyurethane 60, brass 3/8" NPSF female	OB65X170P.5E.N40W
B	Suction cup OB65x170P Polyurethane 30/60, thread insert G3/8" with mesh filter for Vacuum Gripper System (VGS)	OB65X170P.5K.G40M
B	Suction cup OB65x170P Polyurethane 60, thread insert G3/8" with mesh filter for Vacuum Gripper System (VGS)	OB65X170P.5E.G40M



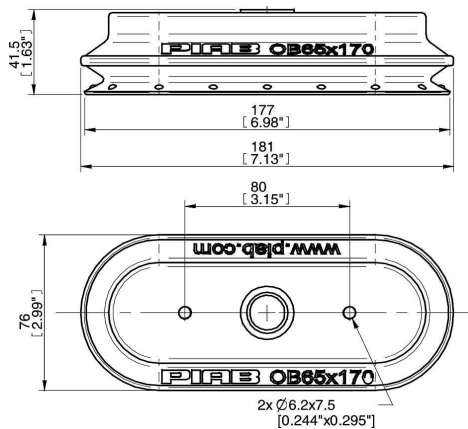
A



B

Rubber parts

Rubber parts		Part No.
Suction cup OB65x170P Polyurethane 30/60 with collar for Vacuum Gripper System (VGS)		OB65X170P.5K
Suction cup OB65x170P Polyurethane 60 with collar for Vacuum Gripper System (VGS)		OB65X170P.5E



Fittings

Fittings		Part No.
Thread insert G3/8" male, with O-ring and mesh filter for Vacuum Gripper System (VGS)		01.07.148