

OF55X150P



OF55X150P

Flat, oval suction cup with cleats

- Suitable for flat and rough surfaces.
- Fair stability and little inherent movement.
- Recommended when the lifting force is parallel to the surface of the object.
- Cleats prevent thin, sensitive objects from being deformed and give extra friction when the lifting force is parallel to the surface of the object.
- DURAFLEX® material features the elasticity of rubber in combination with the wear resistance of polyurethane.
- The DURAFLEX® material is mark-free.

Lifting forces & Technical data

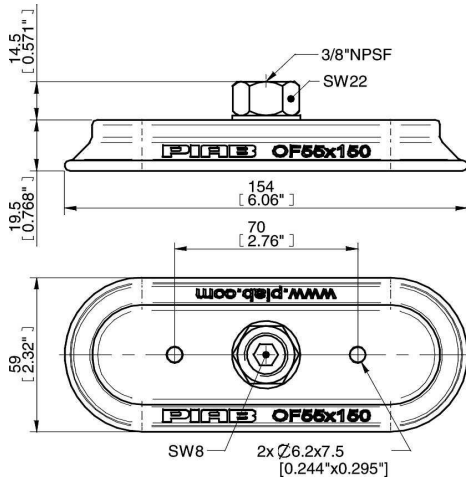
Material	Outer Dia in	Lifting force vertical to the surface, lbf, at vacuum level			Lifting force parallel to the surface, lbf, at vacuum level			Volume in ³	Min. curve radius in	Max. vertical movement in	Weight with fitting oz
		6 - inHg	18 - inHg	27 - inHg	6 - inHg	18 - inHg	27 -inHg				
PU40°	2.32x6.06	29.4	82.3	118	34.8	78.7	102	2.26	5.91	0.12	5.18
PU60°	2.32x6.06	30.1	84.5	125	28.8	76.0	107	2.26	5.91	0.12	5.18

Material resistance

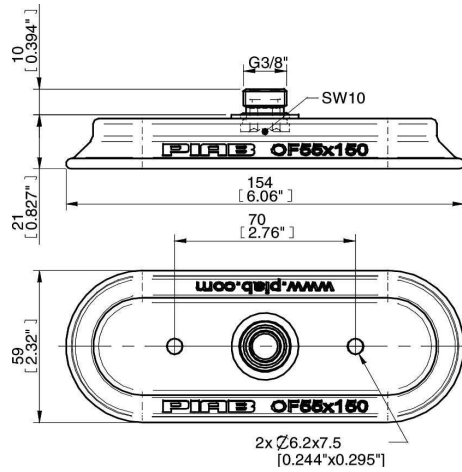
Wear resistance	Oil	Weather & ozone	Hydrolysis	Gasoline	Concentrated acids	Ethanol	Methanol	Oxidation
Excellent	Excellent	Excellent	Fair	Fair	Fair	Fair	Poor	Poor

Ordering information

Suction cups with fitting		Part No.
A	Suction cup OF55x150P Polyurethane 40, 3/8" NPSF female	OF55X150P.5C.N40W
A	Suction cup OF55x150P Polyurethane 60, 3/8" NPSF female	OF55X150P.5E.N40W
B	Suction cup OF55x150P Polyurethane 40, thread insert G3/8" with mesh filter for Vacuum Gripper System (VGS)	OF55X150P.5C.G40M
B	Suction cup OF55x150P Polyurethane 60, thread insert G3/8" with mesh filter for Vacuum Gripper System (VGS)	OF55X150P.5E.G40M



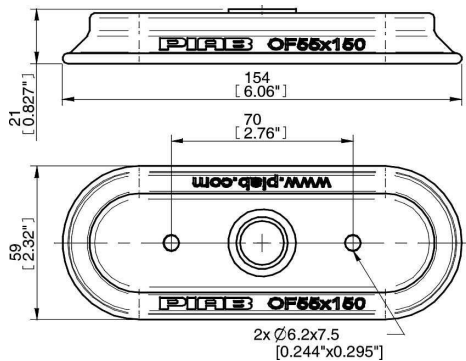
A



B

Rubber parts

Rubber parts		Part No.
Suction cup OF55x150P Polyurethane 40 with collar for Vacuum Gripper System (VGS)		OF55X150P.5C
Suction cup OF55x150P Polyurethane 60 with collar for Vacuum Gripper System (VGS)		OF55X150P.5E



Fittings

Fittings		Part No.
Thread insert G3/8" male, with O-ring and mesh filter for Vacuum Gripper System (VGS)		01.07.148