

Transition piece for tablet press with Ø165 or Ø244 interface



Transition piece for tablet press with Ø165 or Ø244 interface

- Used as a transition piece for tablet press
- Ready to use, complete with sensor, aspiration filter, clamp ring and silicone sealing
- Fits tablet presses with Ø165 and Ø244 mm interfaces
- Piab standard PR0 filter used for aspiration
- Capacitive level sensor with TC connection
- 3m [10 ft] of cable with open end

Technical data

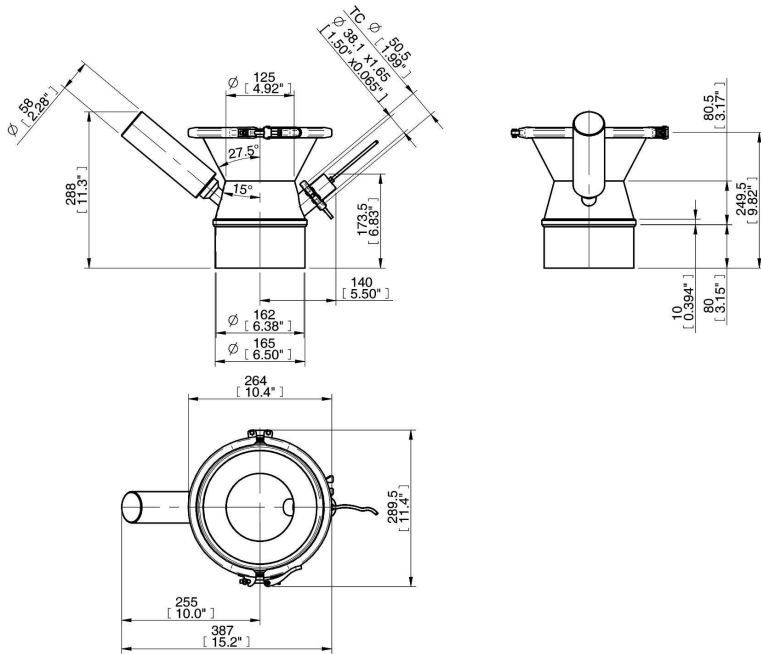
Description	Unit	Value
Material		ASTM 316L
Finish	Ra	0.6
Temperature range	°F	0-140
Connection, flange	mm	TC Ø50.5
Function, output		Antivalent (NO+NC)
Cable, 3m PVC	mm ²	5 x0.34
Voltage, operating	V DC	10...30
Current, output max	mA	2x150

Technical data, specific

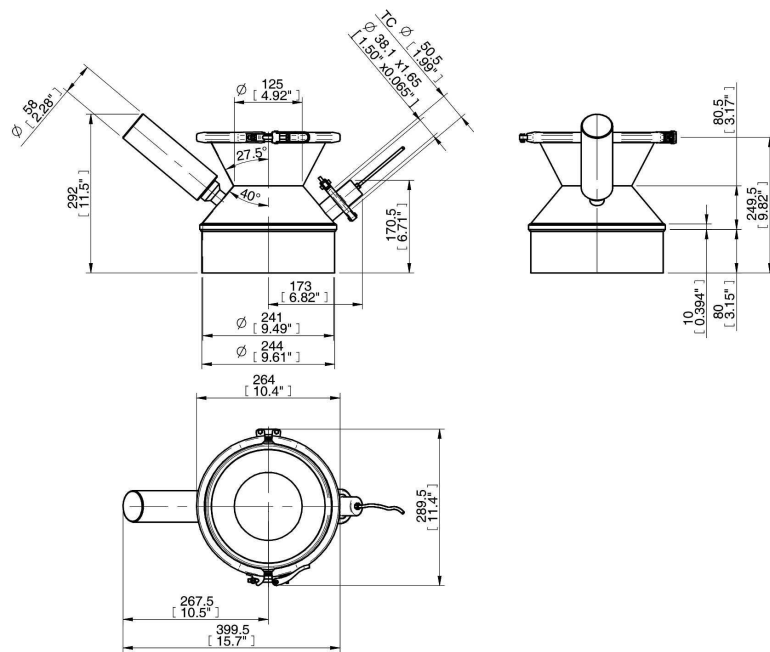
Description	Unit	Value
		01.27.542
		01.27.461
Weight	lb	7.70
		9.02

Ordering information

	Description	Part No.
A	Interface tablet press Ø165	01.27.542
B	Interface tablet press Ø244	01.27.461



A



B