

Transition piece for tablet press with Mueller int



Transition piece for tablet press with Mueller interface

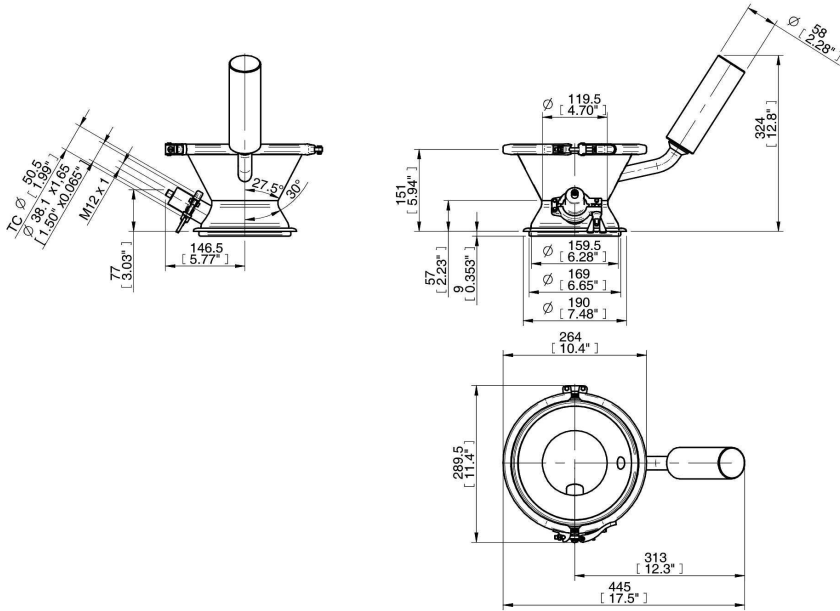
- Used as a transition piece for tablet press
- Ready to use, complete with sensor, aspiration filter, clamp ring and silicone sealing
- Fits tablet presses with Mueller S/D Ø170 interface
- Piab standard PR0 filter used for aspiration
- Capacitive level sensor with TC connection and M12x1 connector
- 10m [33 ft] of cable with open end

Technical data

Description	Unit	Value
Material		ASTM 316L
Finish	Ra	0.6
Weight	lb	1.10
Temperature range	°F	0-140
Connection, flange	mm	TC Ø50.5
Connection, electrical connector		M12x1 5pin
Function, output		Antivalent (NO+NC)
Cable, 10m PVC	mm ²	5 x0.34
Voltage, operating	V DC	10...30
Current, output max	mA	2x150

Ordering information

	Description	Part No.
A	Interface tablet press Mueller S/D 170	02.01.519



A