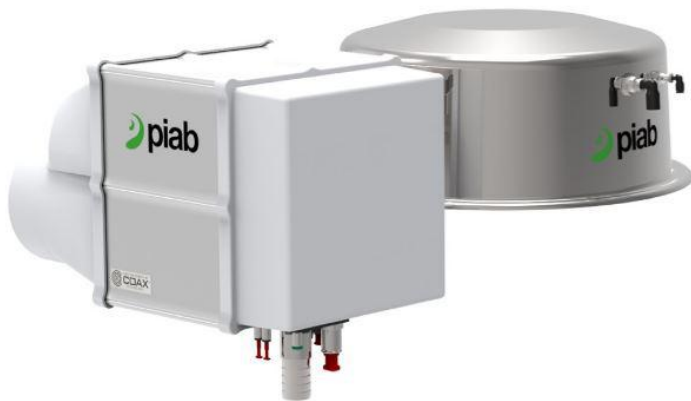


# piPREMIUM upgrade kit C33-600, C33-800



## piPREMIUM upgrade kit C33-600, C33-800

- The kit is a plug-and-play assembly for a quick changeover to replace the Maxi L pump and top module
- COAX® patented technology
- Side mounted for low building height
- High vacuum flow
- Compact size and low weight
- Low noise level
- Modular design
- Pneumatic valve for compressed air to shock tank and mounting plate for the C series are included

### Technical data

Description	Unit	Value
Material		ASTM 316L, Al, SS, PA, PP, NBR
Temperature range	°F	32-140
Weight	lb	26.4
Feed pressure, max.	psi	101.5
Feed pressure, range	psi	58-87
Vacuum range	-inHg	18-22
Noise level	dBA	69-77

### Technical data, specific

Description	Unit	Value
		02.01.087
		02.01.086
Air consumption, range	scfm	63.6-89.0
		84.8-119

### Vacuum flow piPREMIUM600

Feed pressure* psi	Air consumption scfm	Vacuum flow (scfm) at different vacuum levels (-inHg)									Max vacuum -inHg
		0	3	6	9	12	15	18	21		
58	63.6	254	148	97.5	61.4	40.7	20.3	5.09	—	18.0	
72.5	76.3	290	167	112	72.0	43.2	31.6	17.8	9.11	21.0	
87	89.0	305	178	131	86.9	45.8	30.5	25.4	17.8	22.2	

\*Feed pressure tolerance, +/- 1.45 psi

### Vacuum flow piPREMIUM800

Feed pressure* psi	Air consumption scfm	Vacuum flow (scfm) at different vacuum levels (-inHg)									Max vacuum -inHg
		0	3	6	9	12	15	18	21		
58	84.8	333	184	129	80.5	55.1	27.1	6.78	—	18.0	
72.5	102	354	208	148	95.4	57.2	42.0	23.7	12.3	21.0	

87	119	360	225	176	114	61.4	40.7	33.9	23.7	22.2
*Feed pressure tolerance, +/- 1.45 psi										

## Ordering information

### Description

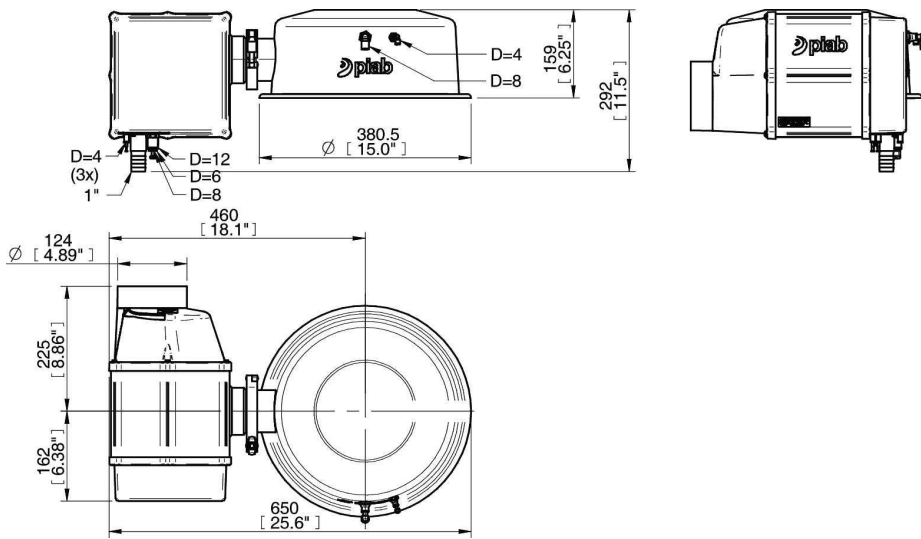
### Part No.

piPREMIUM upgrade kit C33-600

02.01.087

piPREMIUM upgrade kit C33-800

02.01.086



## Ordering information, accessories

### Description

### Part No.

Regulator kit piFLOW®p 1" 600-800

01.04.491

Wall mounting kit pump piPREMIUM 600-800

02.01.025

Maintenance kit piFLOW® pumps

02.01.649