

Feed adapters with universal flange



Feed adapters with universal flange



- Polished \leq Ra 0.8.
- For mounting on customer's feed hopper.
- Is suitable for European style size 200, pressure class PN10 in accordance with DIN 2632, ISO dimension.
- Is suitable for American style size 8, ANSI BI 6.5 class 150.
- Sealing in crude rubber and always included.

Technical data

Description	Value
Material	ASTM 316L, ASTM 304, ASTM 304L*, CuNi, NR, POM*

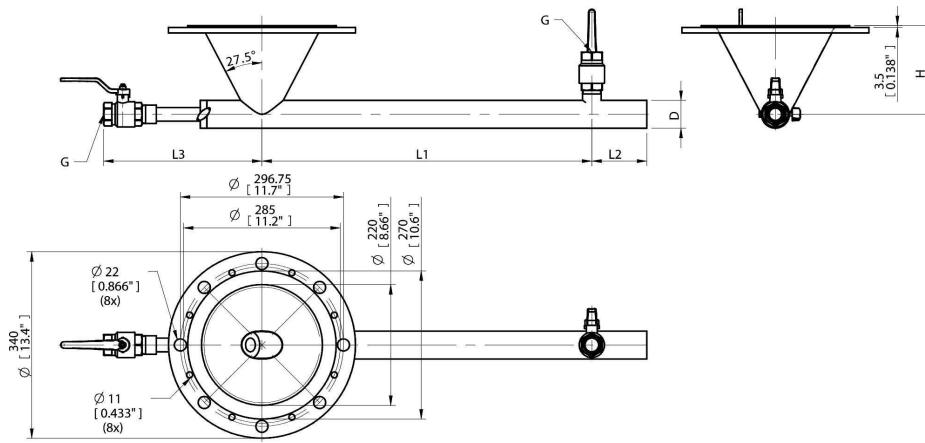
* = 01.17.680

Technical data, specific

Description	Unit	Value					
		01.17.678	01.17.679	01.17.680	01.17.681	01.17.682	01.17.683
Weight	lb	12.8	13.4	14.6	16.5	24.9	34.5

Dimensions

Description	D mm	H in	L1 in	L2 in	L3 in	G
Feed adapter 25U flange	Ø 25x1.2	7.20	15.2	2.56	5.39–7.48	1/4"
Feed adapter 32U flange	Ø 32x1.2	7.09	16.7	3.94	6.10–8.19	1/2"
Feed adapter 40U flange	Ø 40x1.0	6.77	19.7	3.94	7.40–10.0	3/4"
Feed adapter 50U flange	Ø 51x1.2	6.38	23.6	3.94	8.19–11.3	1"
Feed adapter 75U flange	Ø 76.1x1.6	5.43	30.5	5.91	9.92–14.6	1 1/4"
Feed adapter 100U flange	Ø 101.6x2.0	4.45	39.4	5.91	10.6–16.5	2"



Ordering information

Description	Part No.
Feed adapter 25U flange	01.17.678
Feed adapter 32U flange	01.17.679
Feed adapter 40U flange	01.17.680
Feed adapter 50U flange	01.17.681
Feed adapter 75U flange	01.17.682
Feed adapter 100U flange	01.17.683
Sealing DN200 Feed adapter	01.14.410