

Pipe fittings, straight



Pipe fittings, straight

- Fulfils the requirements of FDA.
- Antistatic.
- Hose clamp not included.

Technical data

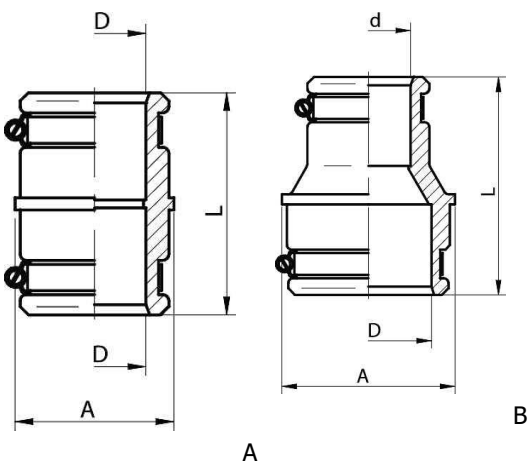
Description	Unit	Value
Material		NBR
Temperature range	°C	-20–125

Technical data, specific

Description	Art. No.	Weight kg	D mm	d mm	A mm	L mm
Pipe fitting straight 22x22	3404137	0.060	22.0	–	40.0	82.0
Pipe fitting straight 32x32	3404136	0.080	32.0	–	50.0	82.0
Pipe fitting straight 40x40	3404135	0.140	40.0	–	64.0	98.0
Pipe fitting straight 50x50	3404121	0.230	51.0	–	78.0	110.0
Pipe fitting straight 75x75	3404119	0.360	76.1	–	103.6	130.0
Pipe fitting straight 100x100	3404134	0.600	101.6	–	130.0	150.0
Pipe fitting straight reducer 32x22	3404141	0.080	32.0	22.0	50.0	82.0
Pipe fitting straight reducer 40x32	3404140	0.130	40.0	32.0	64.0	98.0
Pipe fitting straight reducer 50x40	3404139	0.210	51.0	40.0	78.0	110.0
Pipe fitting straight reducer 75x50	3404120	0.340	76.1	51.0	103.6	130.0
Pipe fitting straight reducer 100x75	3404138	0.540	101.6	76.1	130.0	150.0

Ordering information

	Description	Art. No.
A	Pipe fitting straight 22x22	3404137
A	Pipe fitting straight 32x32	3404136
A	Pipe fitting straight 40x40	3404135
A	Pipe fitting straight 50x50	3404121
A	Pipe fitting straight 75x75	3404119
A	Pipe fitting straight 100x100	3404134
B	Pipe fitting straight reducer 32x22	3404141
B	Pipe fitting straight reducer 40x32	3404140
B	Pipe fitting straight reducer 50x40	3404139
B	Pipe fitting straight reducer 75x50	3404120
B	Pipe fitting straight reducer 100x75	3404138



Ordering information,
accessories

Description	Art. No.
Hose clamp D=26-38	3113822
Hose clamp D=32-44	3113823
Hose clamp D=44-56	3113695
Hose clamp D=50-65	3113824
Hose clamp D=68-85	3113696
Hose clamp D=104-138	3113825