

Control unit CU-1A/B, CU-2A/B



Control unit CU-1A/B, CU-2A/B



- Controls the functions of the conveyor
- Fully pneumatic
- The maximum recommended distance between the conveyor and control unit is 10 metres when feed pressure is 0.6 MPa
- Function of the CU-1/2A: the bottom valve is open when the conveyor is shut off
- Function of the CU-1/2B: the bottom valve is closed when the conveyor is shut off
- Function of the CU-2: equipped with pipe emptying function between every conveying cycle

Technical data

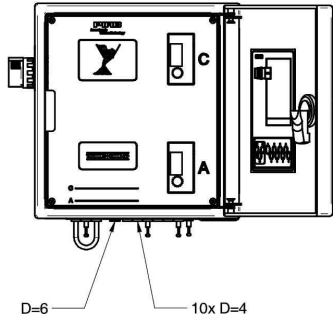
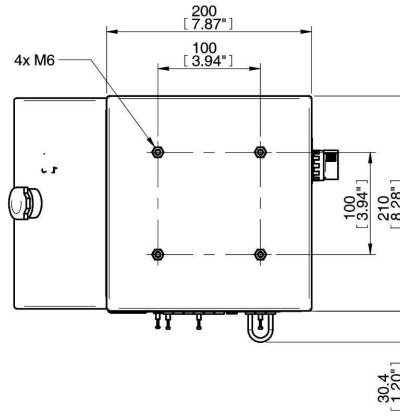
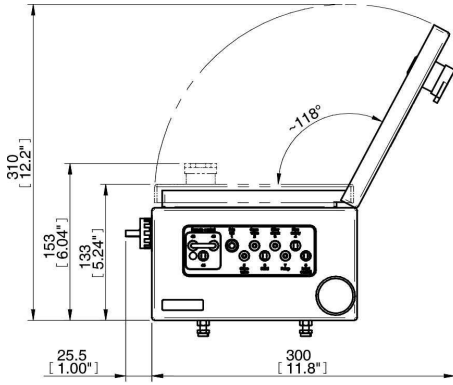
Description	Unit	Value
Feed pressure, range	MPa	0.4–0.6
Material		ASTM 316L
Temperature, range	°C	0–50
Safety classification		IP54

Technical data, specific

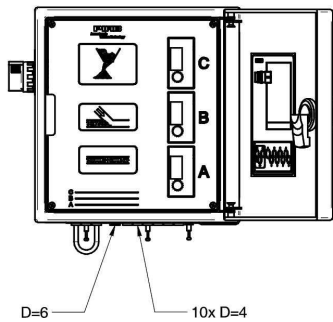
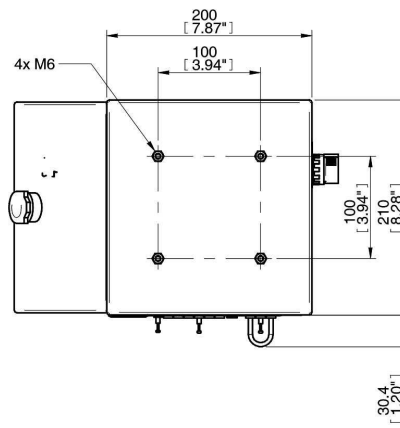
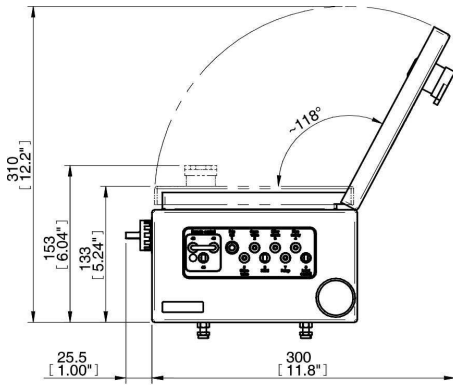
Description	Unit	Value			
		0119840	0119838	0119841	0119839
Weight	kg	4.14	4.09	4.19	4.14

Ordering information

	Description	Art. No.
A	Control unit CU-1A, bottom valve NO	0119840
A	Control unit CU-1B, bottom valve NC	0119838
B	Control unit CU-2A, bottom valve NO	0119841
B	Control unit CU-2B, bottom valve NC	0119839



A



B