

# Valve unit for level detector CU-1/2



## Valve unit for level detector CU-1/2

- Apply with CU-1/2.
- Level sensor must be ordered separately.

### Technical data

Description	Unit	Value
Feed pressure, max.	MPa	0.7
Feed pressure range	MPa	0.4-0.6
Material		PC, POM
Temperature range	°C	0-50
Weight	g	396
Voltage	V	24
Safety classification		IP54

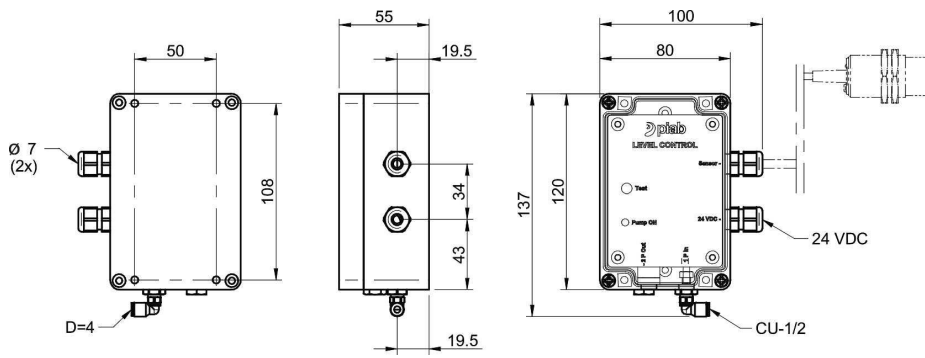
### Ordering information

Description

Art. No.

Valve unit for level detector

0124051



### Ordering information accessories

Description

Art. No.

Capacitive Sensor M32 4-wire DC PNP

0124098

Capacitive Sensor M32 5-wire DC PNP ATEX

0124099