

Mounting girdle piFLOW®p



Mounting girdle piFLOW®p



- To mount the vacuum conveyor on a wall.

Technical data

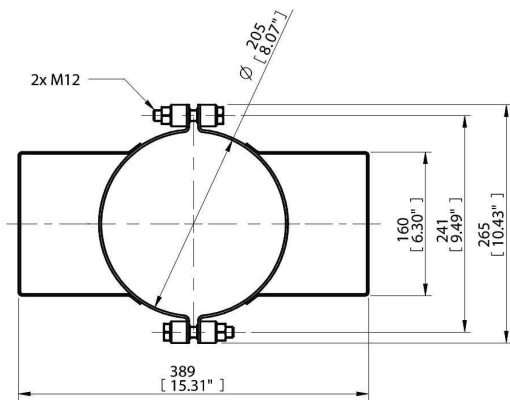
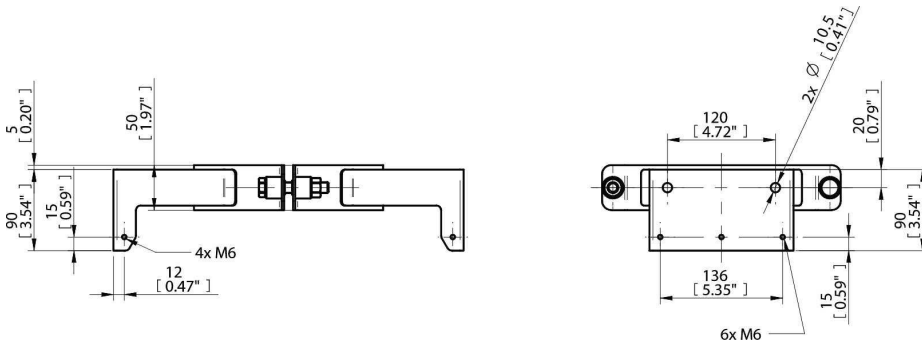
Description	Value
Material	ASTM 316L (EN1.4404), ASTM 303 (EN1.4305)

Technical data, specific

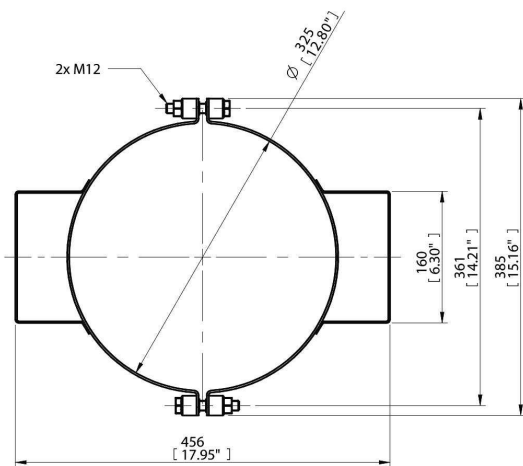
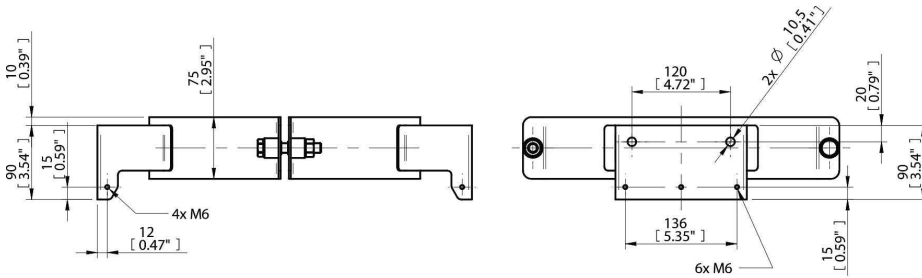
Description	Unit	Value	
		0128721	0128727
Weight	kg	1.96	2.87

Ordering information

	Description	Art. No.
A	Mounting girdle cpl. piFLOW®p Ø21	0128721
B	Mounting girdle cpl. piFLOW®p Ø33	0128727



A



B