

Container module D=250

► Increases the batch volume of the conveyor.

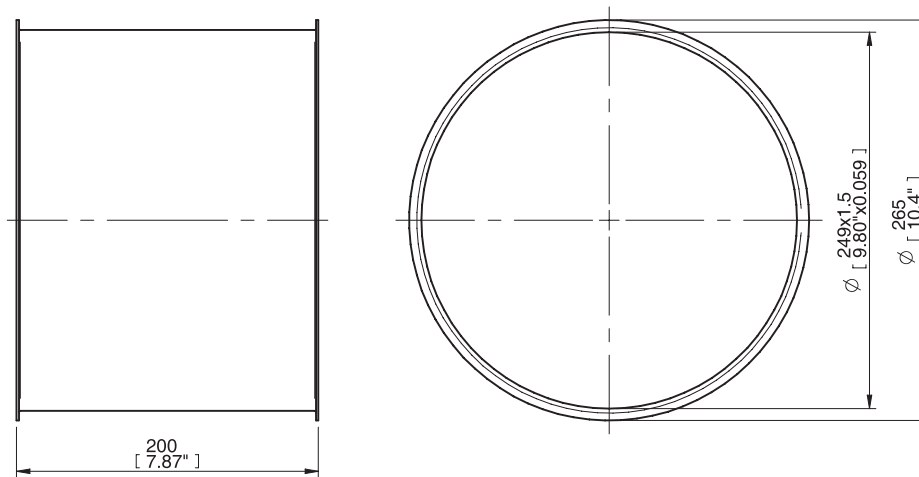


Technical data

Description	Unit	Value
Material		SS (ASTM 304, EN 1.4301)
Weight	kg	1.9
Batch volume	l	9.73

Ordering information

Description	Art. No.
Container module D=250	0203028



Ordering information, accessories

Description	Art. No.
Clamp ring 250 cpl.piFLOW®i	0126331
Clamp ring 250 cpl SS, piFLOW®f	0128990
U-shape seal ID=250 t=2mm, piFLOW®i	0125967
U-shape seal ID=250 t=2mm, piFLOW®f	0128998